



Precision Instruments Corp

Surgical Instruments

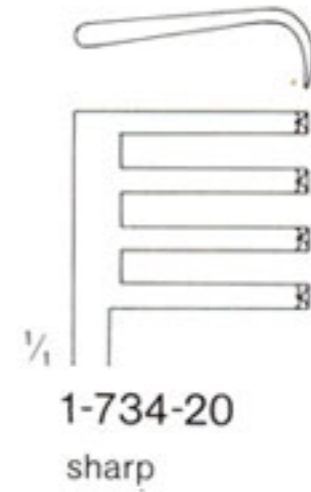
# Bauchdeckenhalter, Wundspreizer Abdominal and Vaginal Retractors Separadores abdominales, Separadores



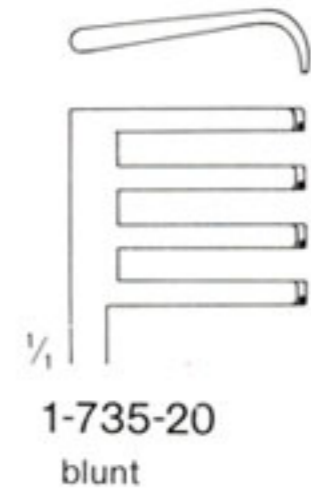
Anderson-Adson  
1-732-20  
19,5 cm/8"



Weitlaner  
1-734-20  
20 cm/8"



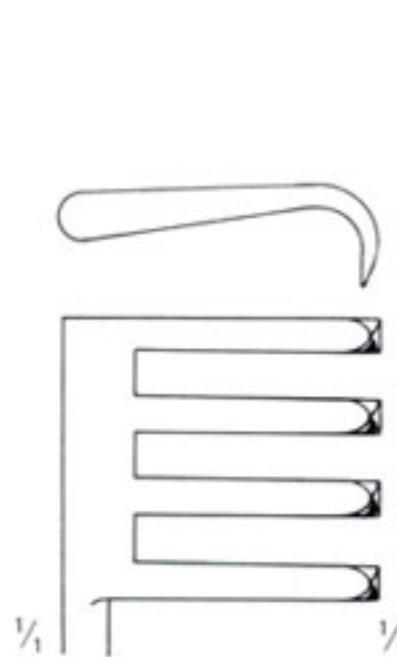
1-734-20  
sharp



1-735-20  
blunt

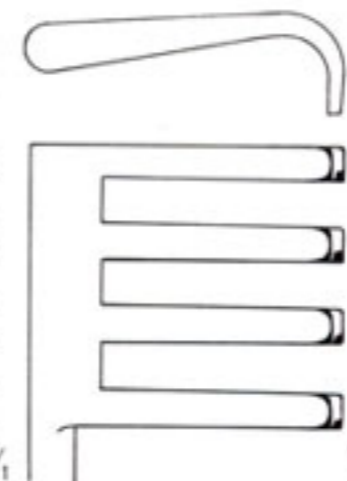


Adson  
26,5 cm/10 1/2"



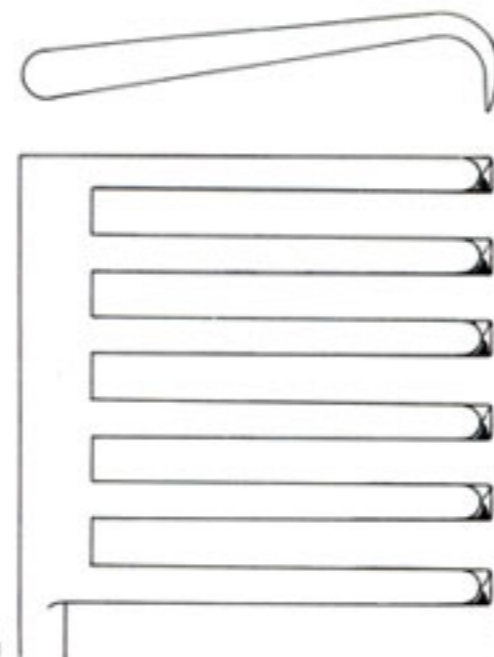
1-736-26

sharp  
3 : 4 teeth



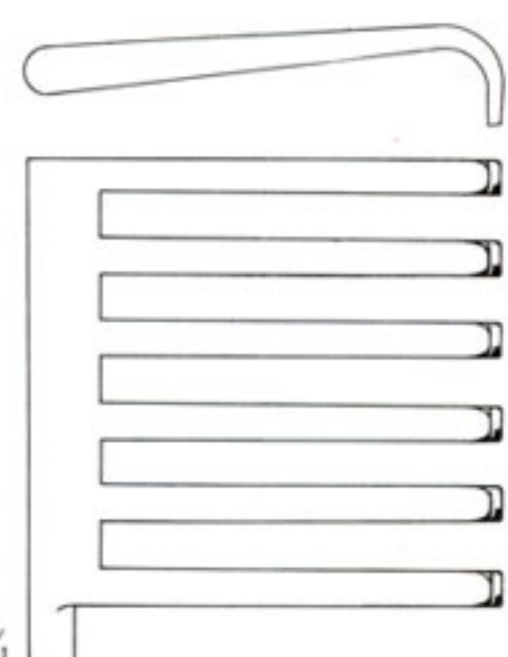
1-737-26

blunt  
3 : 4 teeth



1-738-26

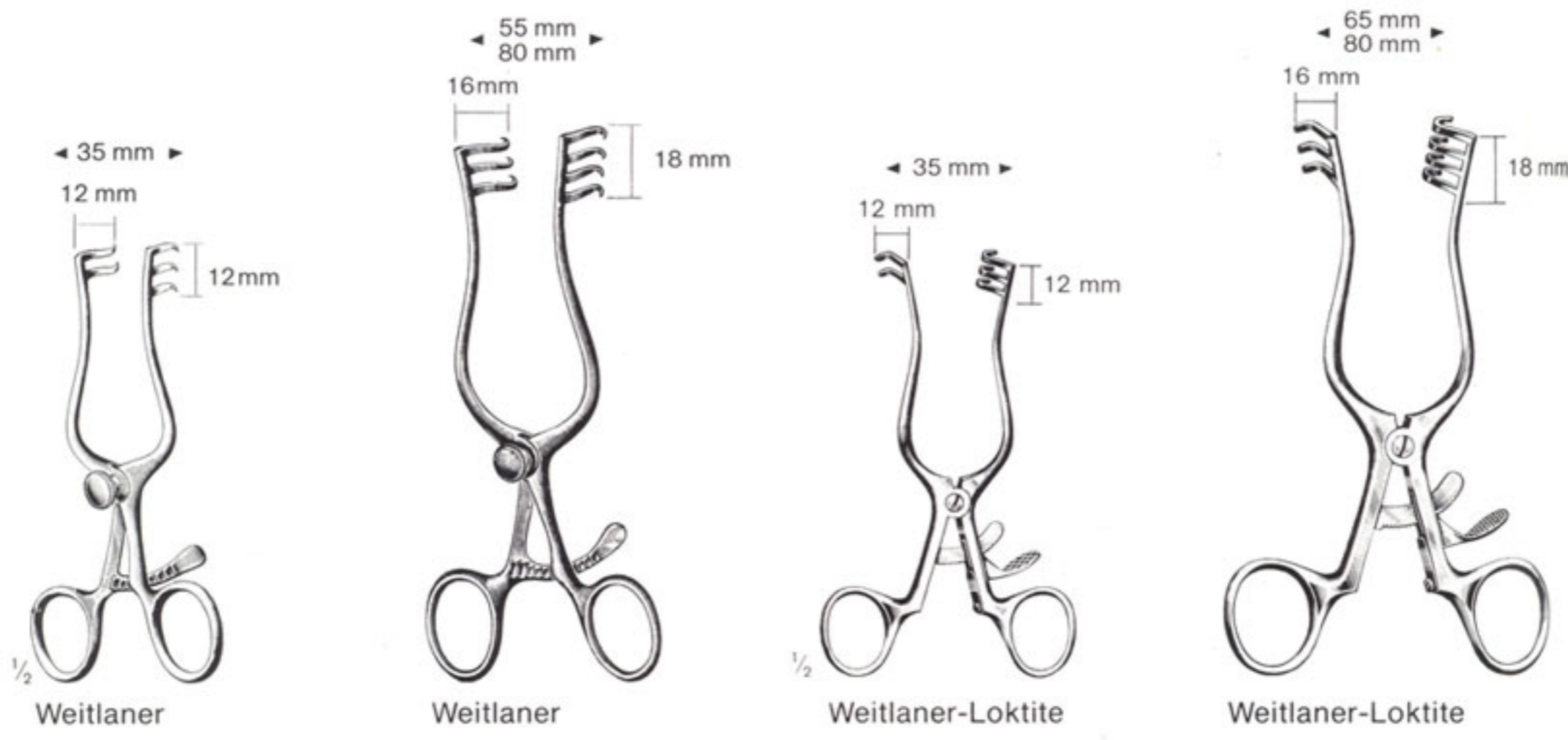
sharp  
5 : 6 teeth



15-739-26

blunt  
5 : 6 teeth

# Bauchdeckenhalter, Wundspreizer Abdominal and Vaginal Retractors Separadores abdominales, Separadores

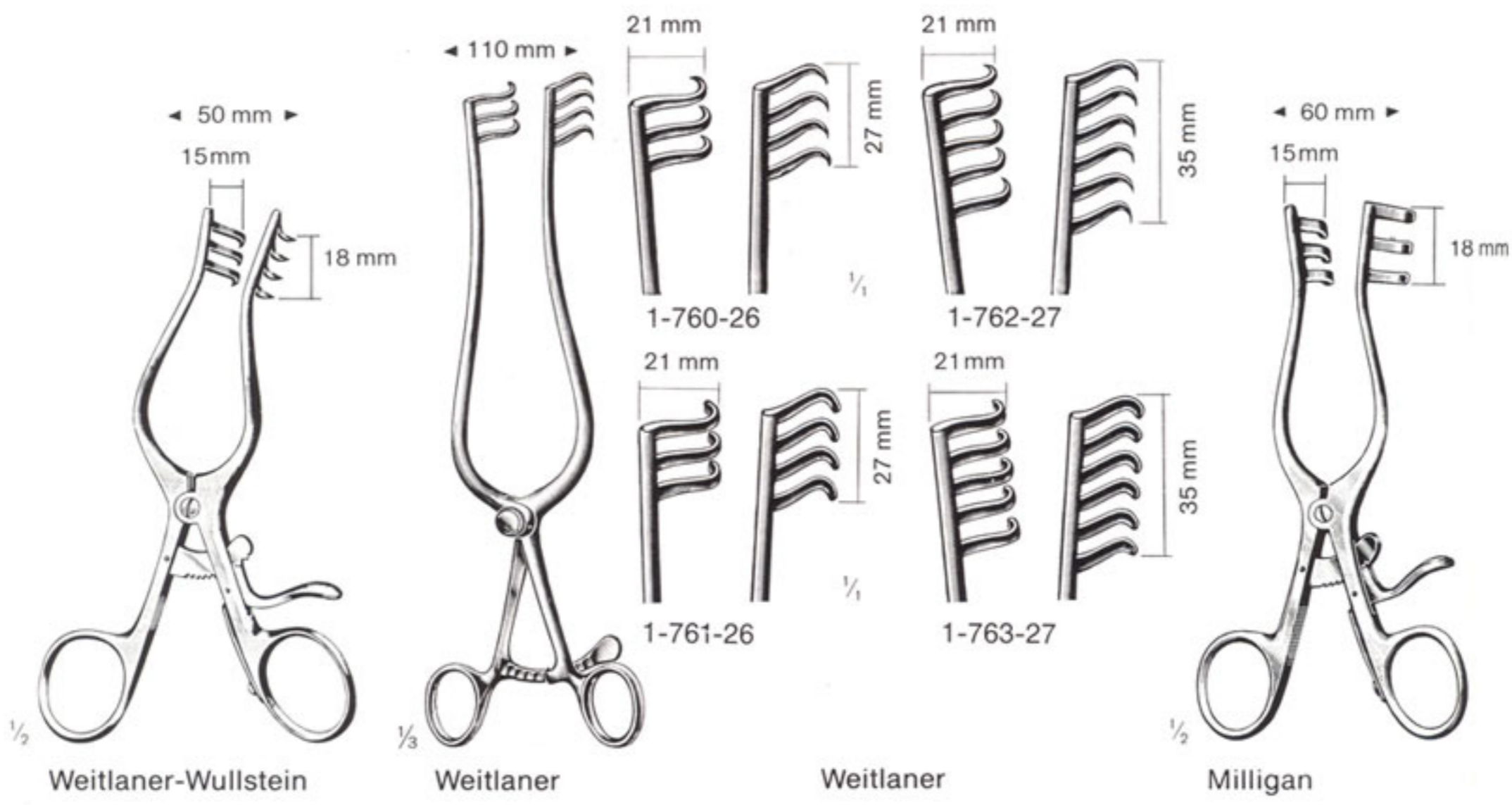


sharp	cm	in.	blunt
1-740-10	10,5	4 1/4	1-741-10

sharp	cm	in.	blunt
1-744-13	13,0	5	1-745-13
1-744-16	16,5	6 1/2	1-745-16

sharp	cm	in.	blunt
1-748-10	10,5	4 1/4	1-749-10

sharp	cm	in.	blunt
1-750-13	13,0	5	1-751-13
1-750-16	16,5	6 1/2	1-751-16



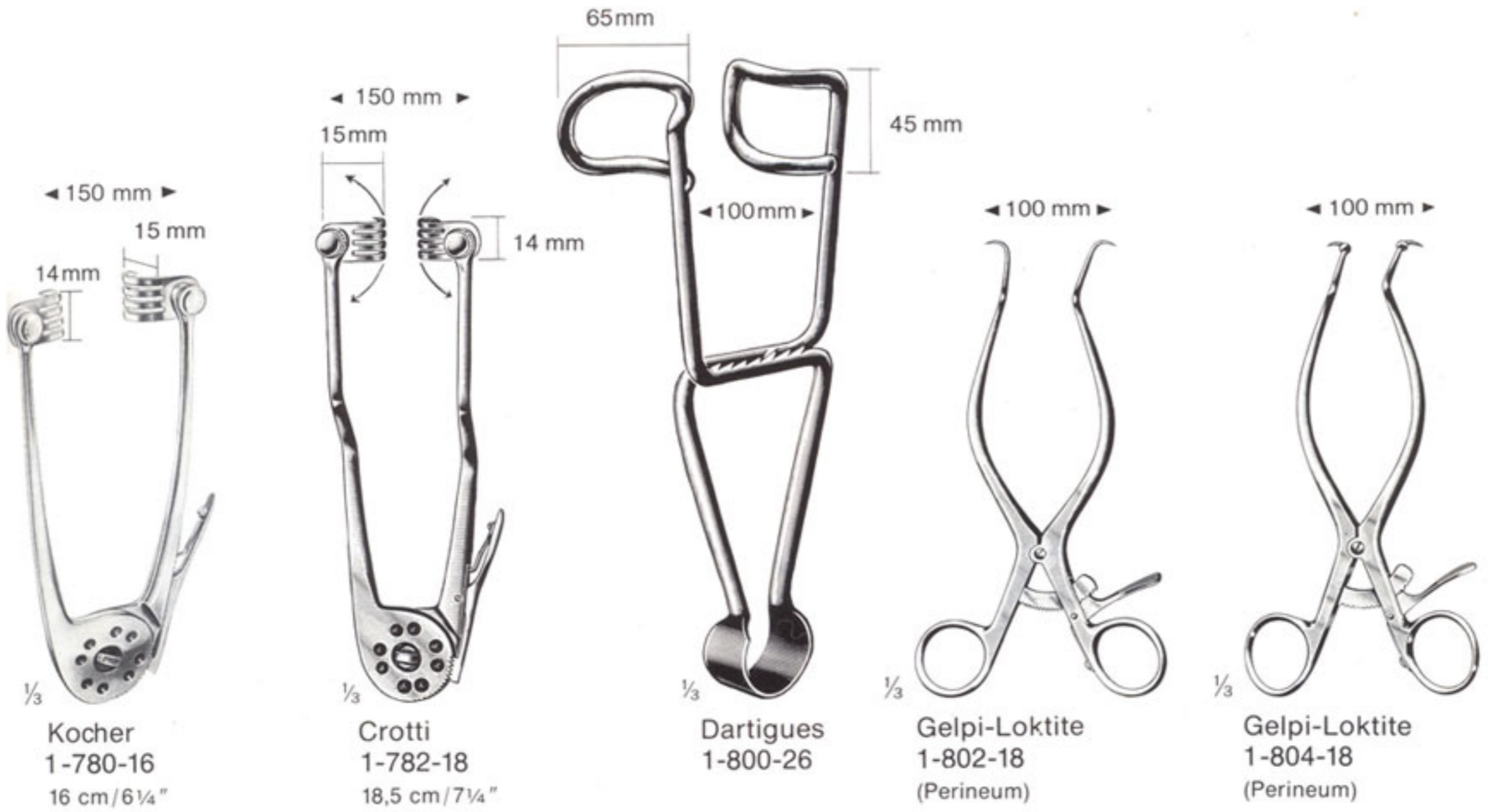
sharp	cm	in.	blunt
1-752-13	13,0	5	1-753-13

sharp	cm	in.	blunt
1-760-26	26,0	10 1/4	1-761-26

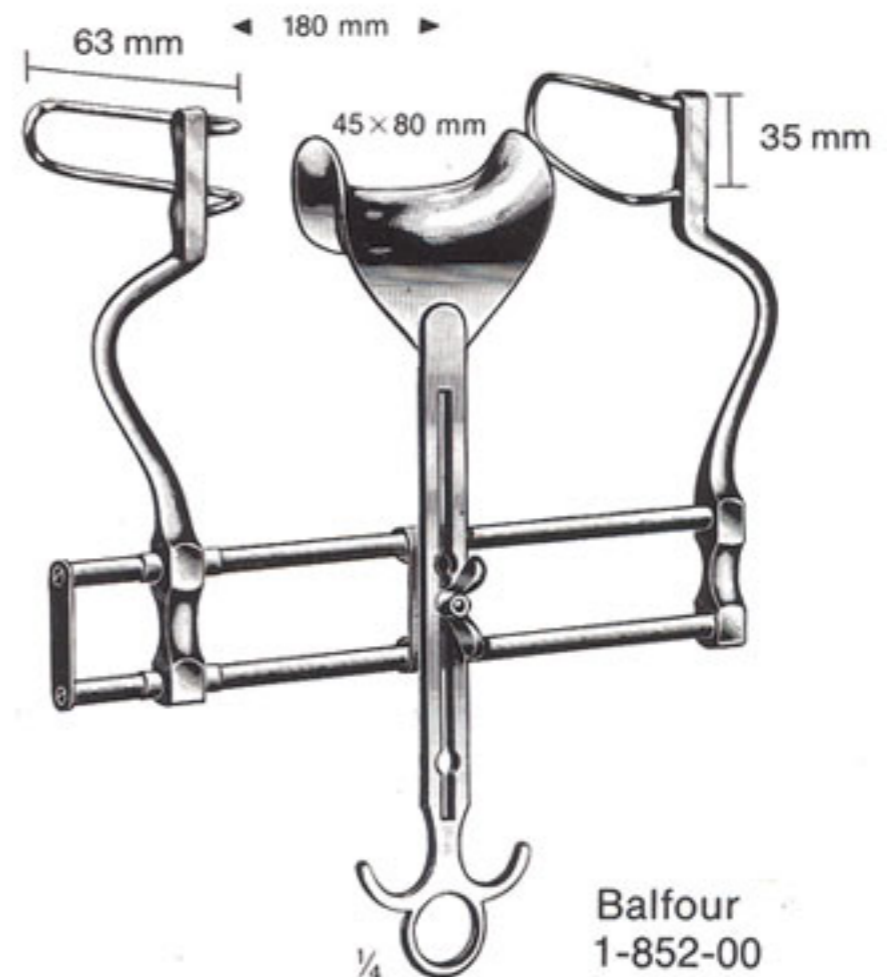
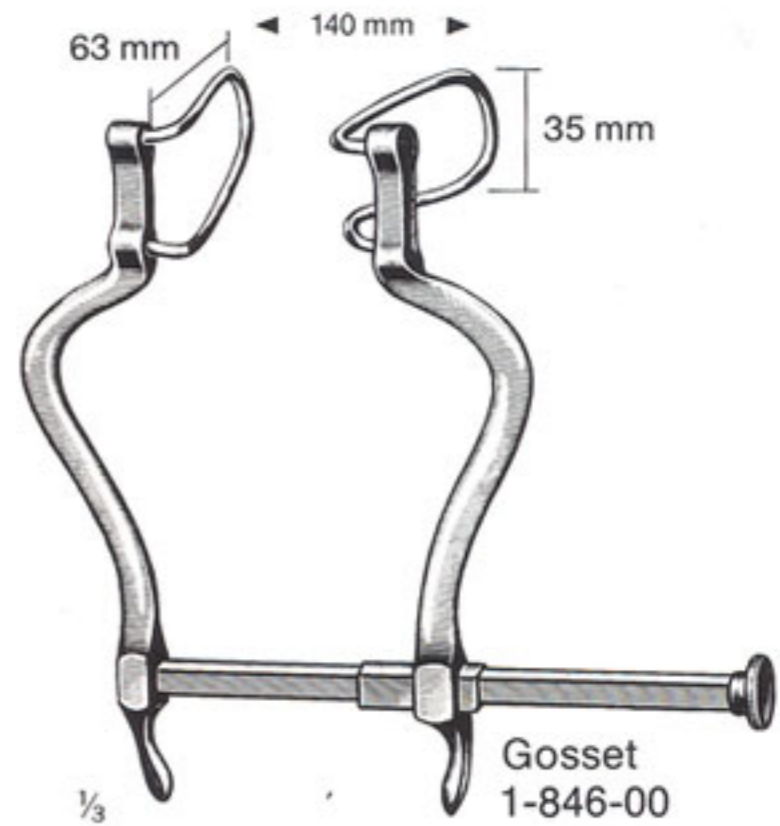
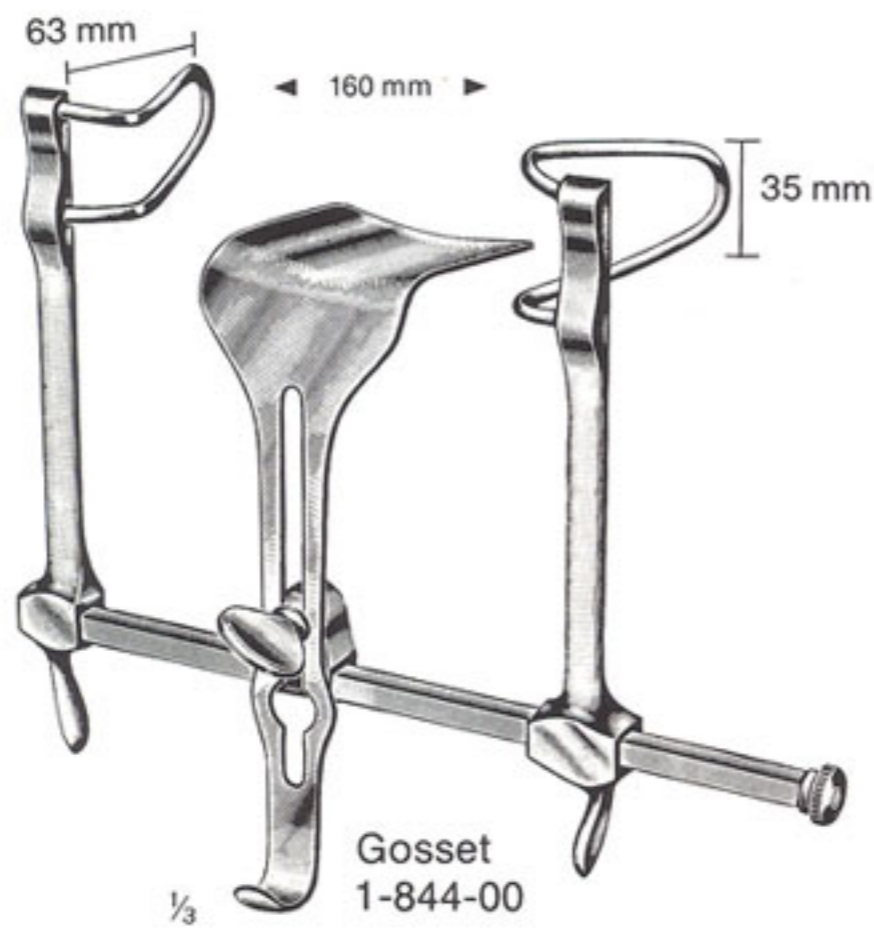
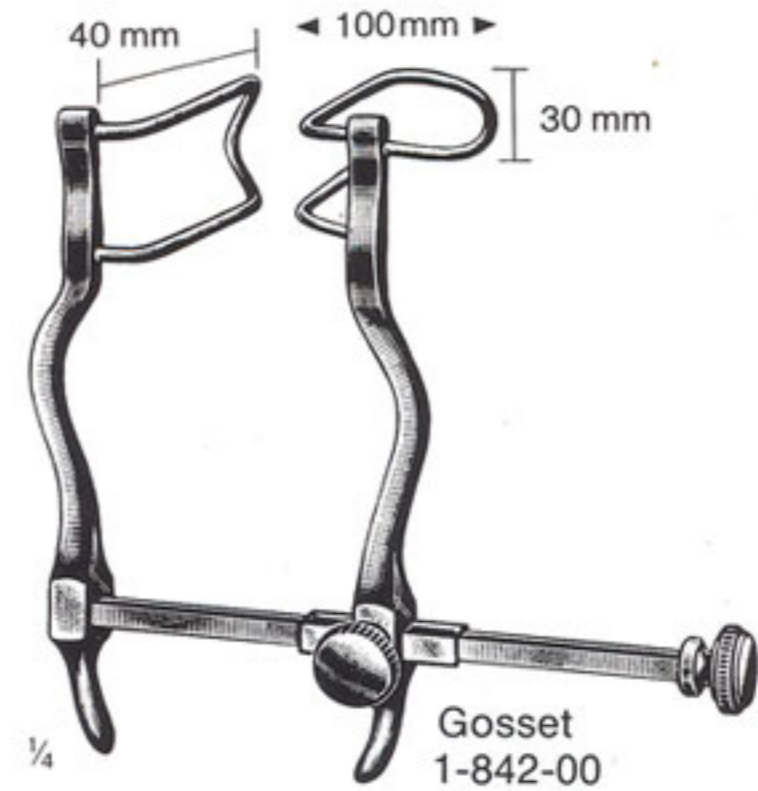
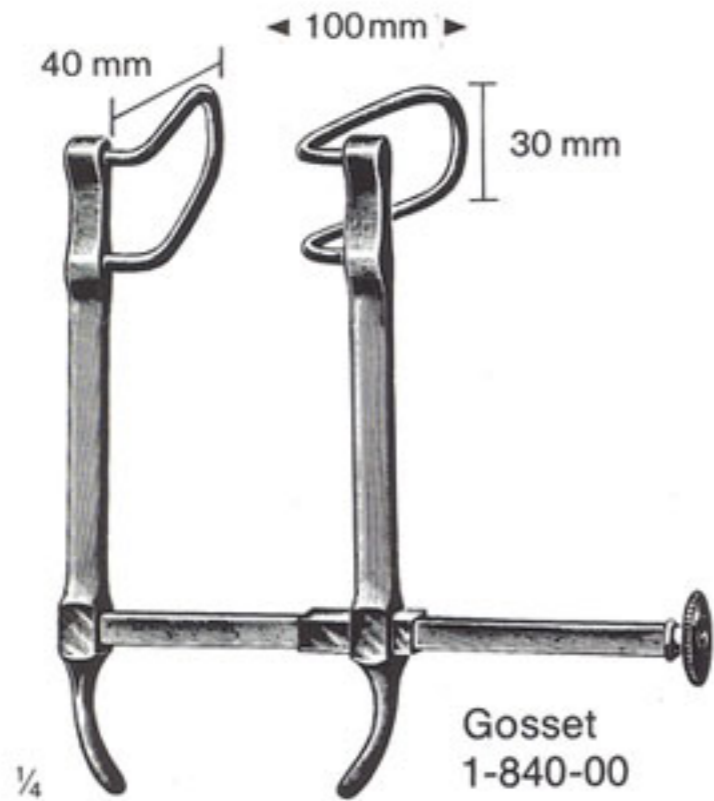
sharp	cm	in.	blunt
1-762-27	27,0	10 1/2	1-763-27

blunt	cm	in.
1-765-13	13,0	5

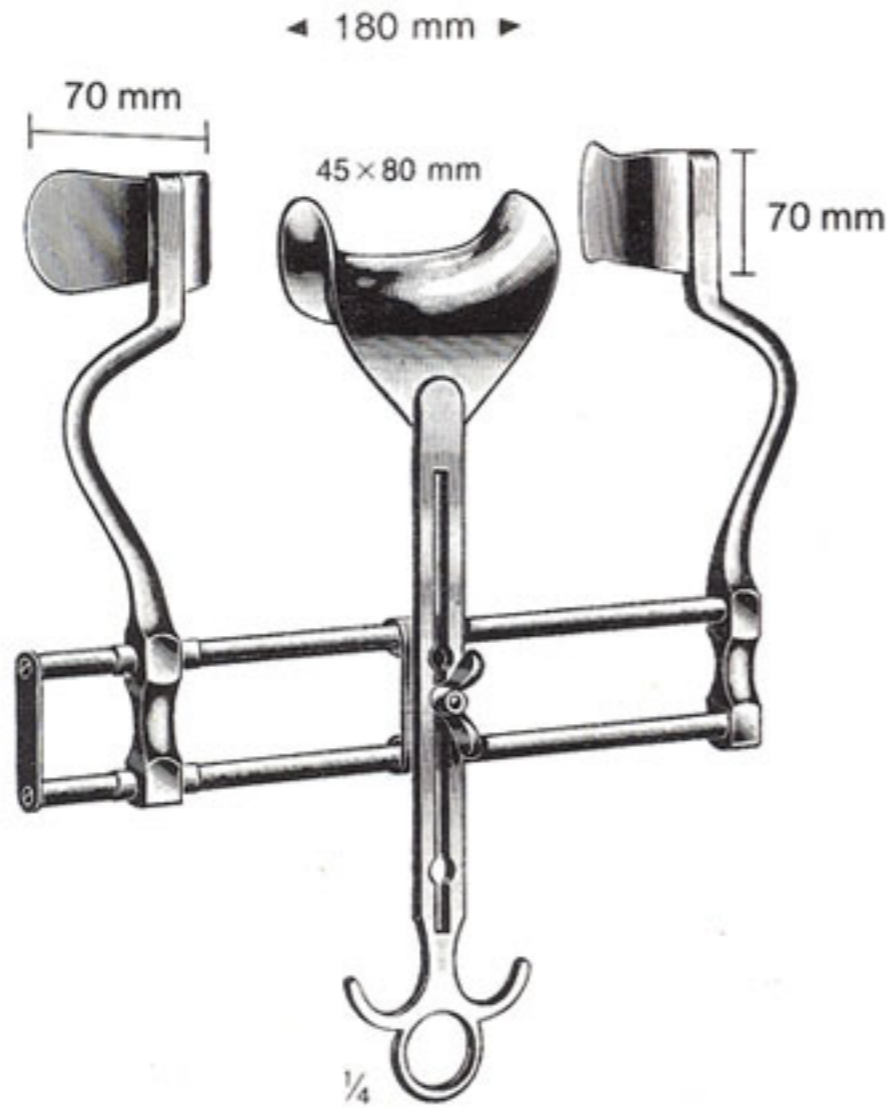
# Bauchdeckenhalter, Wundspreizer Abdominal and Vaginal Retractors Separadores abdominales, Separadores



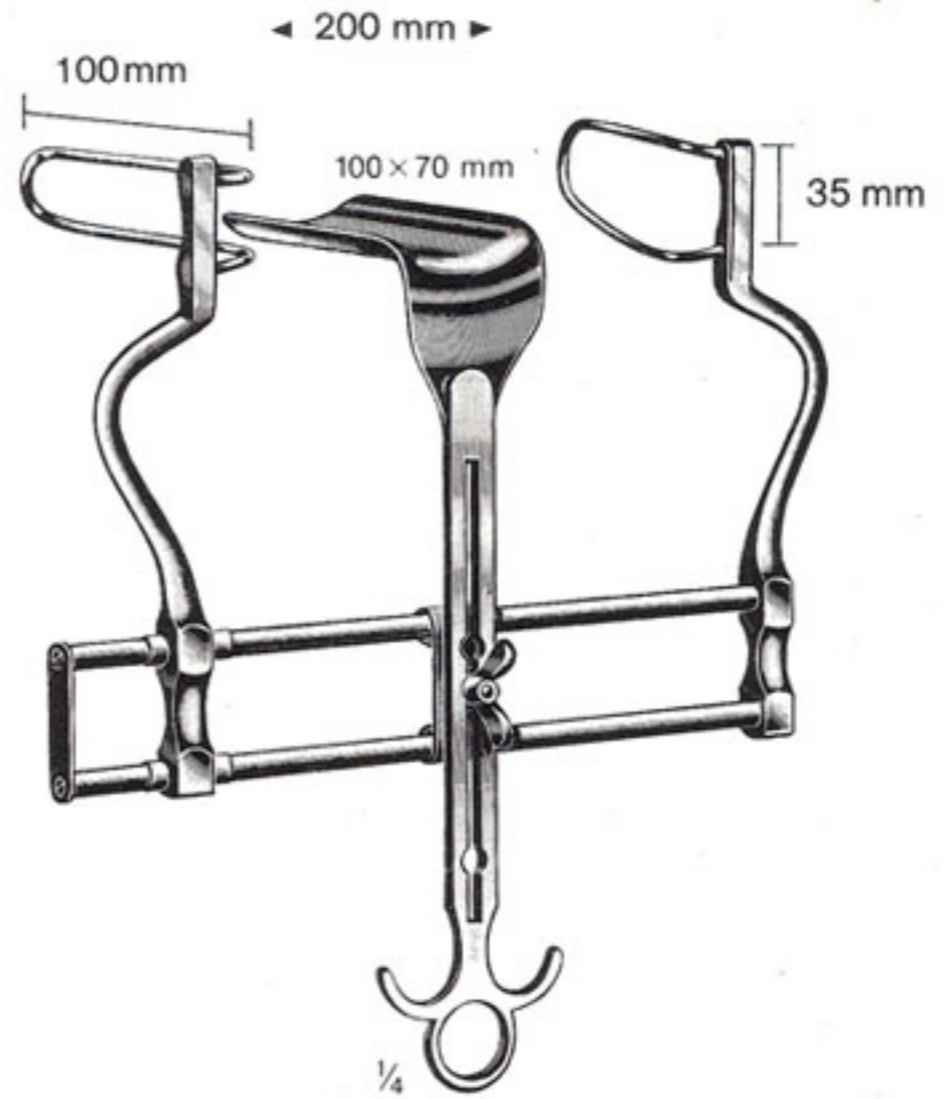
# Bauchdeckenhalter, Wundspreizer Abdominal and Vaginal Retractors Separadores abdominales, Separadores



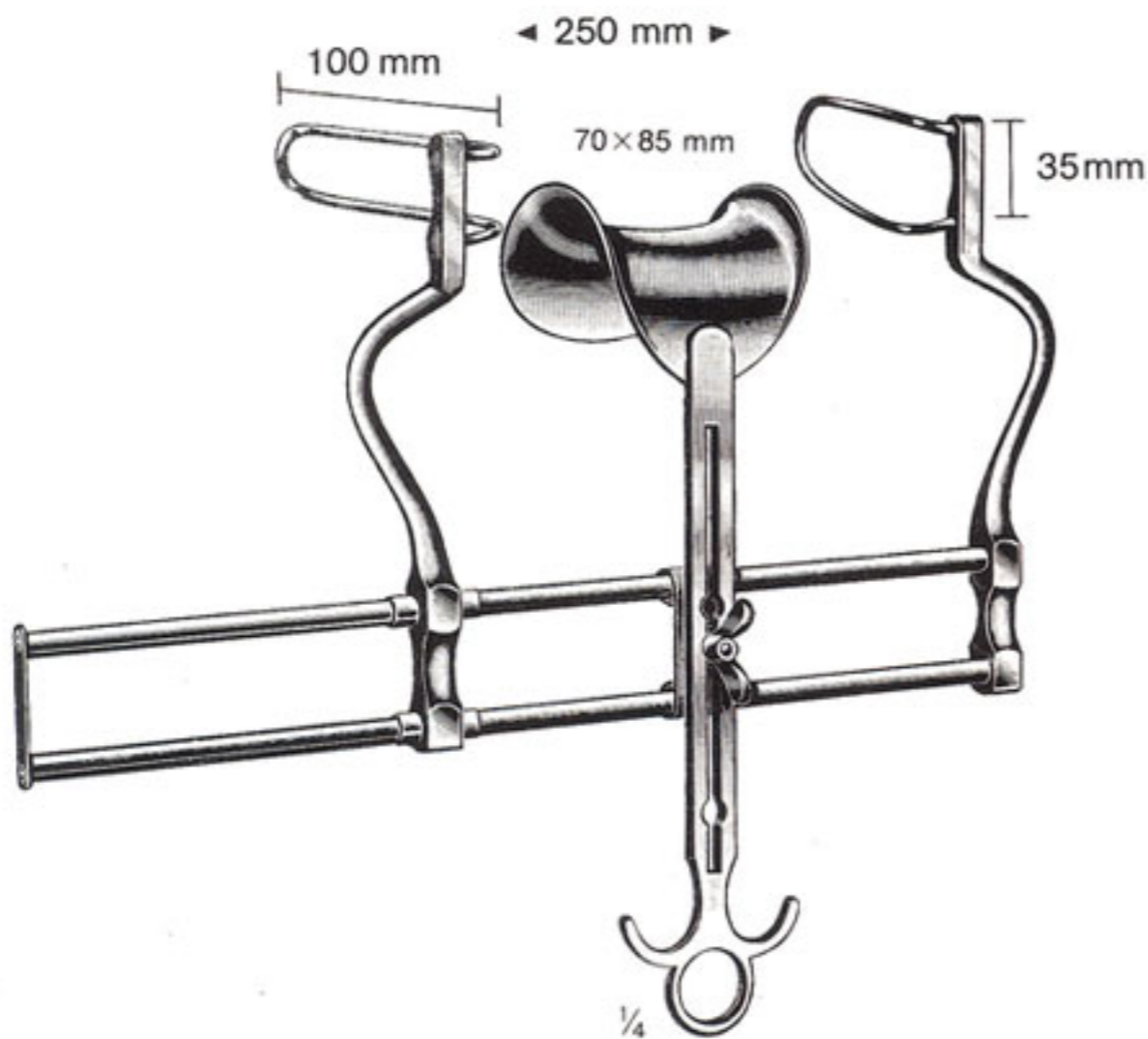
# Bauchdeckenhalter, Wundspreizer Abdominal and Vaginal Retractors Separadores abdominales, Separadores



Balfour  
1-854-00

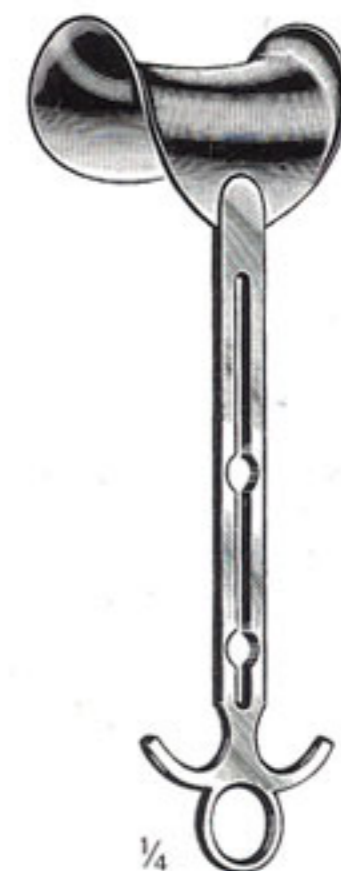


Balfour  
1-856-00



Balfour  
1-858-00

Centre Blade only



Balfour  
1-859-01 = 45 x 80 mm  
1-859-02 = 70 x 85 mm  
1-859-03 = 80 x 90 mm