

The logo for Precision Instruments Corp features the company name in a white, sans-serif font. The text is split across two overlapping horizontal bars: an orange bar on the left and a black bar on the right. The background of the entire page is white, with a large, vibrant blue curved shape on the left side that partially overlaps the orange bar.

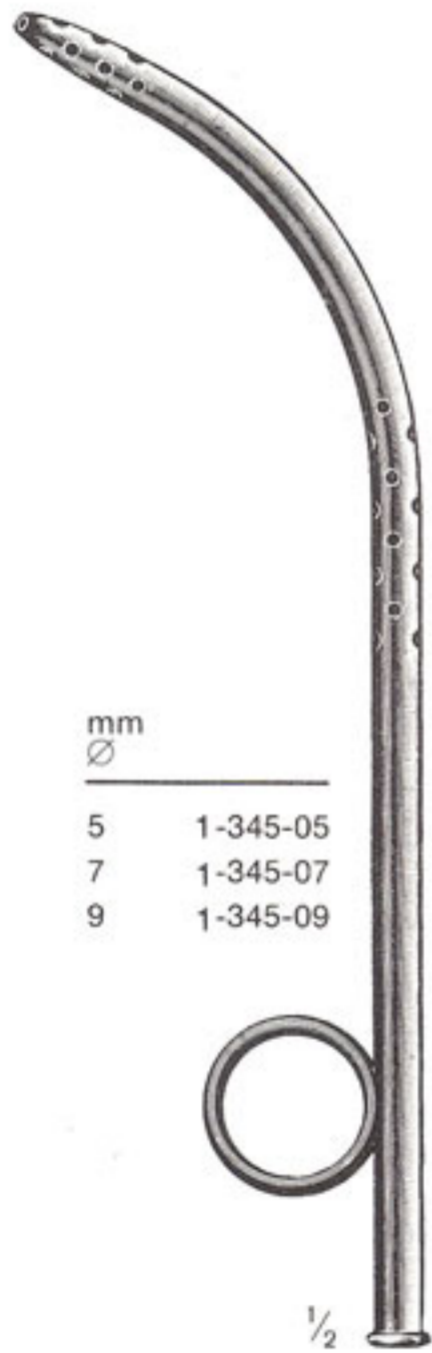
Precision Instruments Corp

Surgical Instruments

# Dilatatoren, intubationsrohre Dilators, Intubation Tubes Dilatadores, Tubos de intubacion

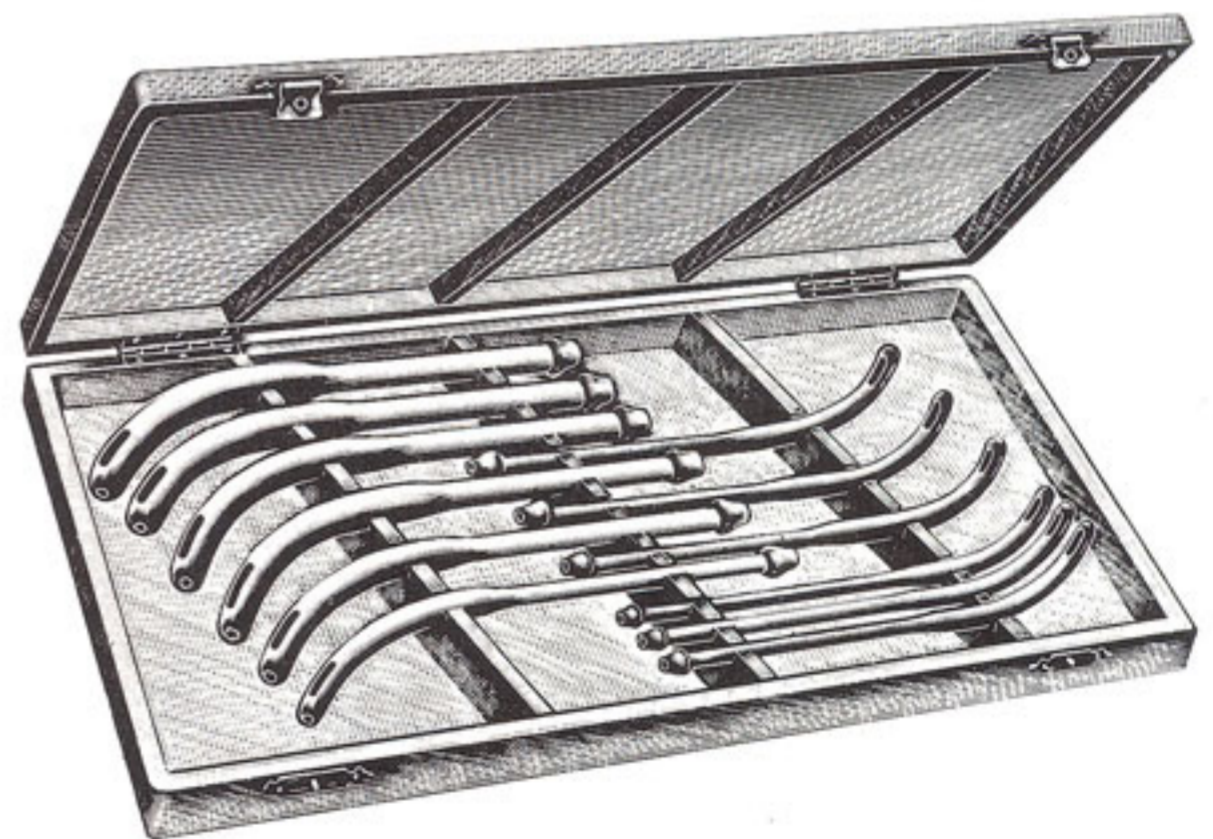
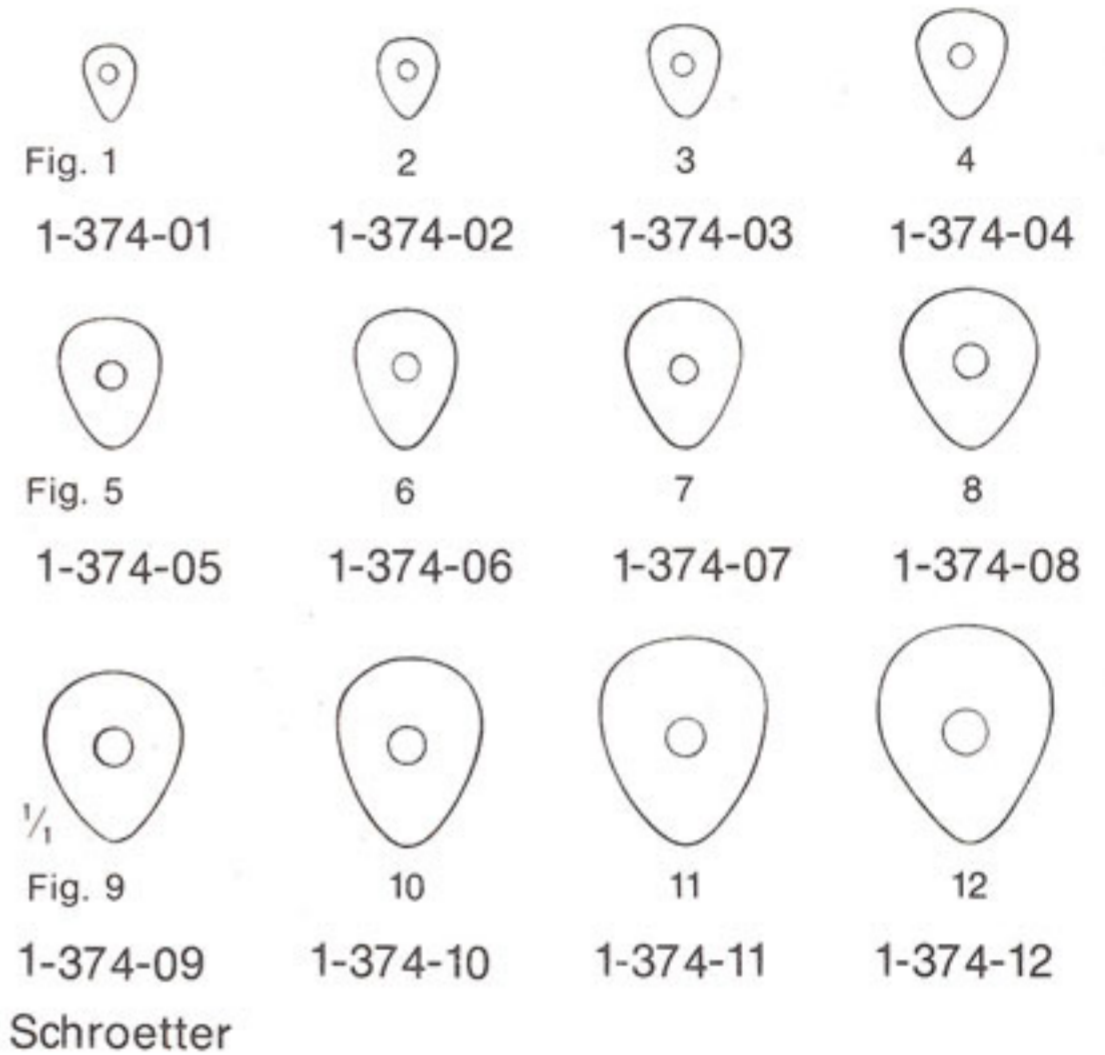


1-342-26  
26 cm/10 1/4"  
12 mm Ø



mm Ø	
5	1-345-05
7	1-345-07
9	1-345-09

Wagener-Mosher  
1-345-05 – 1-345-09



Schroetter  
1-375-00

1-342-26  
1-345-05 – 1-345-09  
1-374-01 – 1-374-12

1-375-00

Cleaning Brush for trachea tubes  
Life Saving Tubes (Intubation Tubes), flexible  
Dilators for laryngeal stenosis, of metal,  
12 sizes fig. 1–12 (see illustration  
1-375-00)  
Set of Dilators, fig. 1–12, in oak wood case