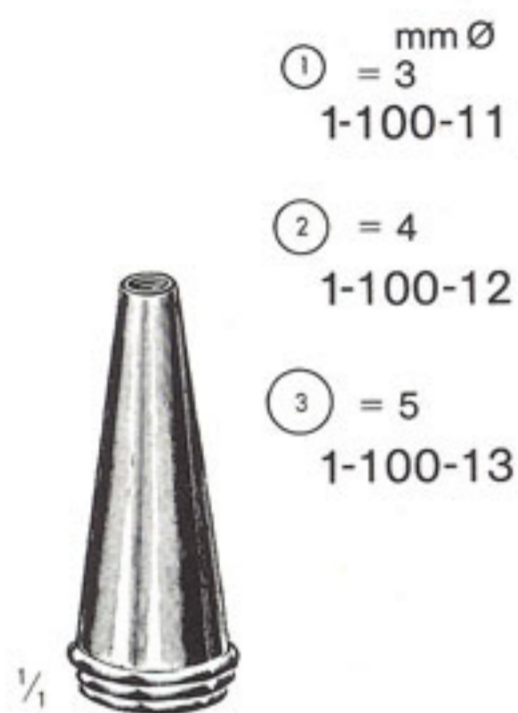


The logo for Precision Instruments Corp features the company name in a white, sans-serif font. The text is split across two overlapping horizontal bars: an orange bar on the left and a black bar on the right. The background of the entire page is white, with a large, vibrant blue curved shape on the left side that partially overlaps the orange bar.

Precision Instruments Corp

Surgical Instruments

Ohrspekula Ear Specula Especulos auriculares

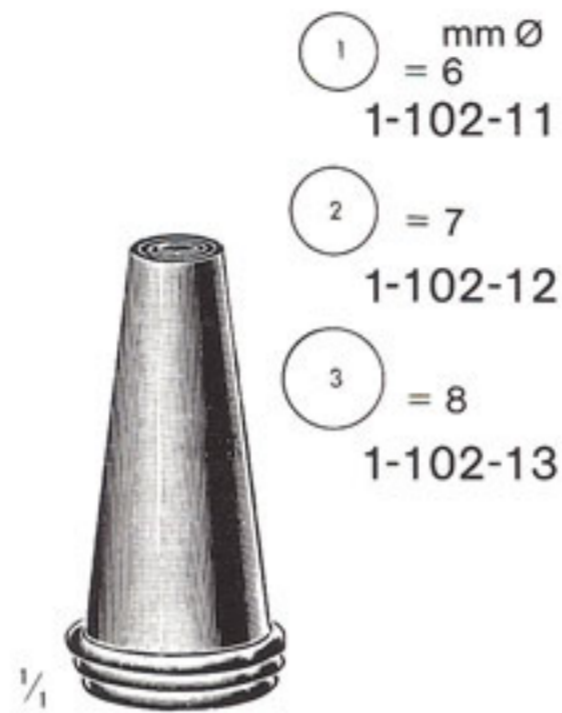


Troeltsch
for babies

pieces fig.

Set of 3 1-3 1-100-03

- ① = 3 mm Ø
1-100-11
- ② = 4
1-100-12
- ③ = 5
1-100-13

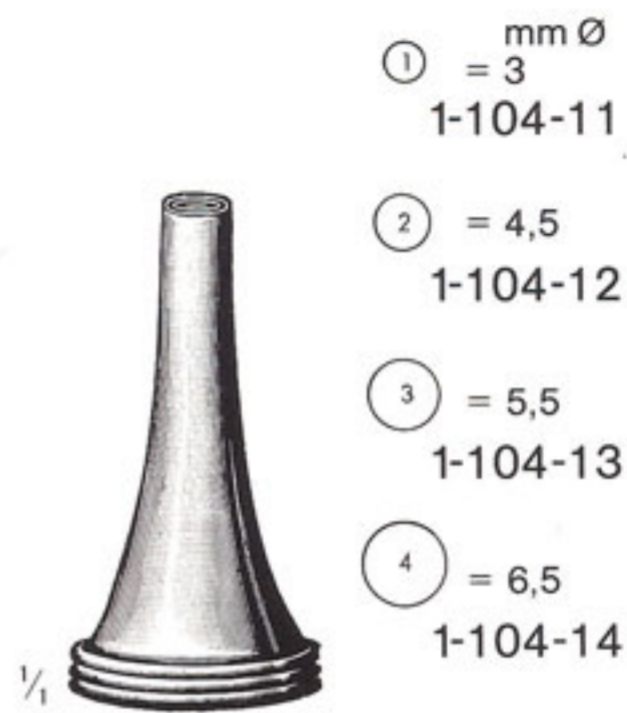


Troeltsch
for adults

pieces fig.

3 1-3 1-102-03

- ① = 6 mm Ø
1-102-11
- ② = 7
1-102-12
- ③ = 8
1-102-13

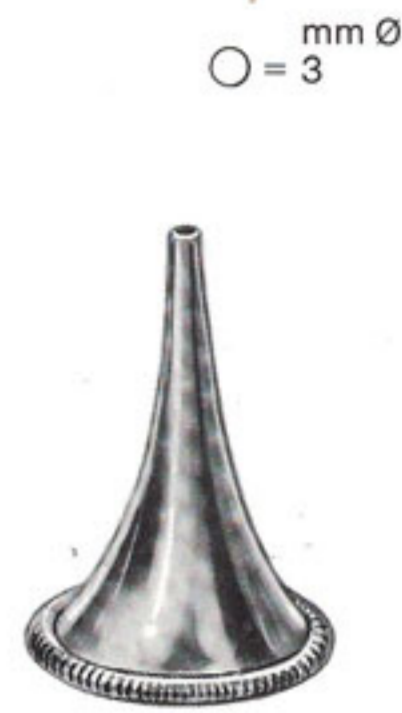


Poltzer
for adults

pieces fig.

3 2-4 1-104-03
4 1-4 1-105-04

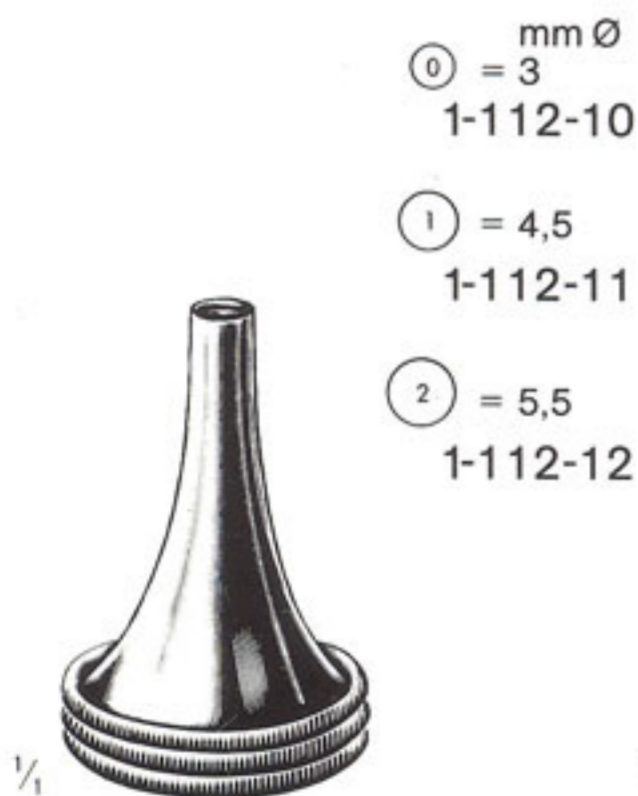
- ① = 3 mm Ø
1-104-11
- ② = 4,5
1-104-12
- ③ = 5,5
1-104-13
- ④ = 6,5
1-104-14



Hartmann
1-112-10
for babies

- = 3 mm Ø

■ Otoscopy Set see page 205

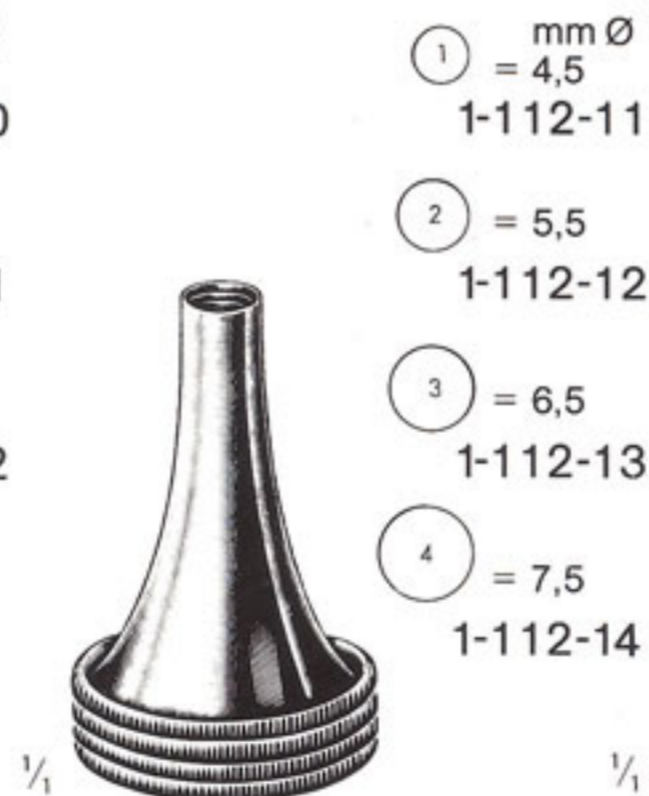


Hartmann
for children

pieces fig.

Set of 3 0-2 1-112-03

- ① = 3 mm Ø
1-112-10
- ② = 4,5
1-112-11
- ③ = 5,5
1-112-12

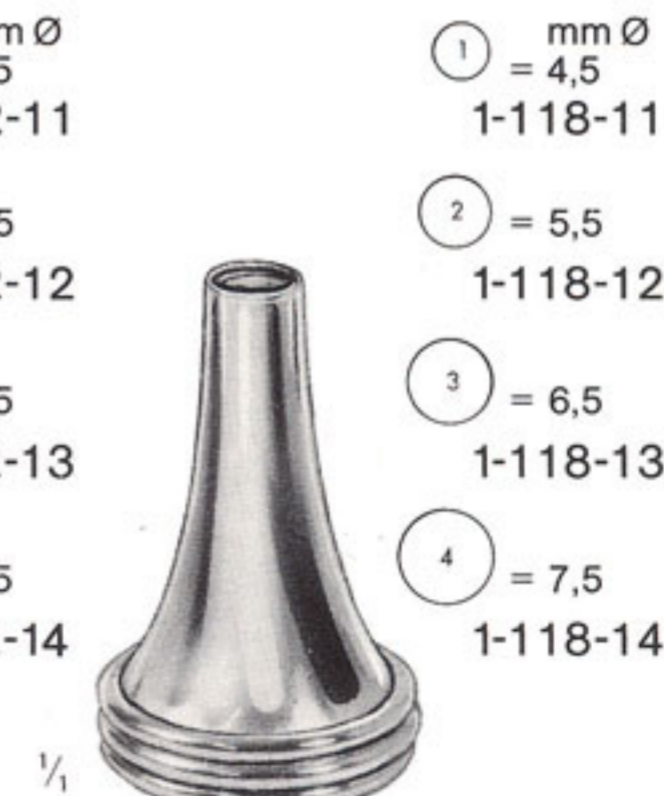


Hartmann
for adults

pieces fig.

3 2-4 1-114-03
4 1-4 1-115-04

- ① = 4,5 mm Ø
1-112-11
- ② = 5,5
1-112-12
- ③ = 6,5
1-112-13
- ④ = 7,5
1-112-14

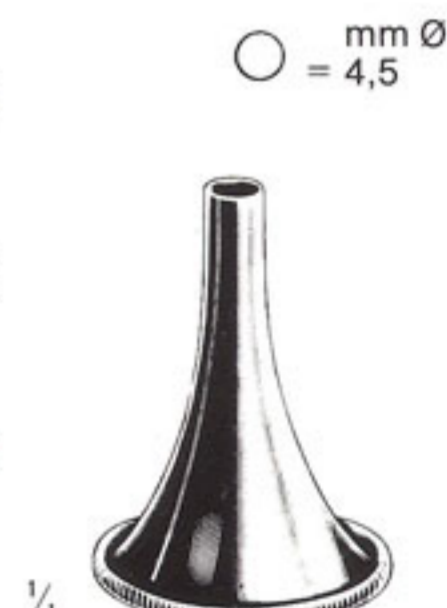


Toynbee
for adults

pieces fig.

3 2-4 1-118-03
4 1-4 1-119-04

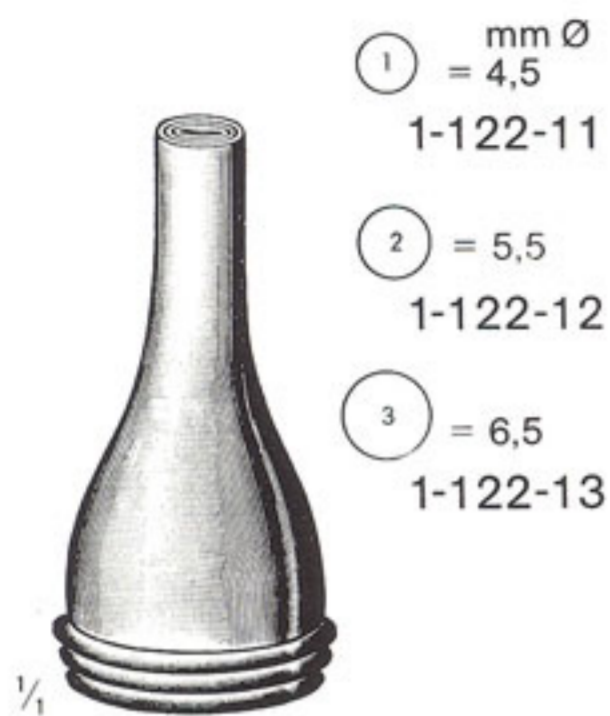
- ① = 4,5 mm Ø
1-118-11
- ② = 5,5
1-118-12
- ③ = 6,5
1-118-13
- ④ = 7,5
1-118-14



Hartmann
1-112-11
for children

- = 4,5 mm Ø

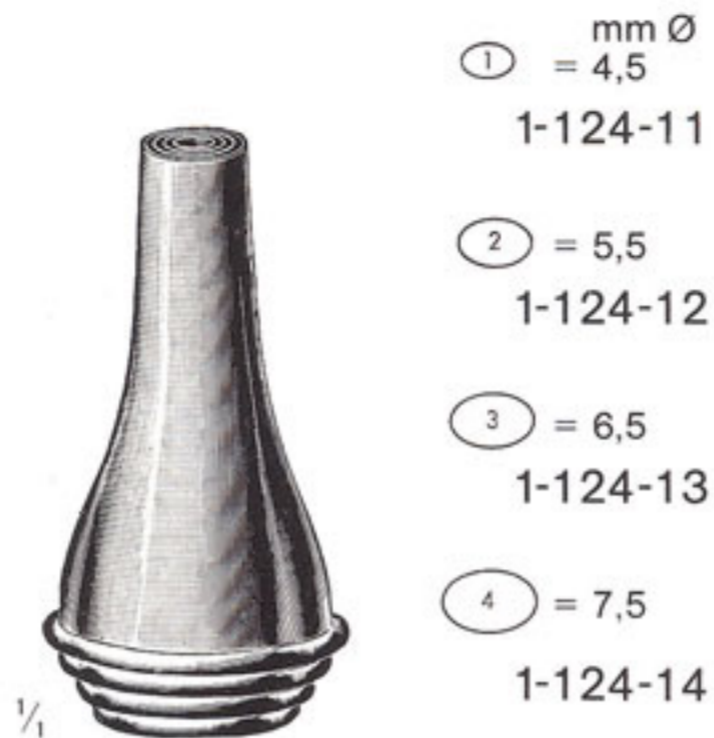
Ohrspekula Ear Specula Especulos auriculares



Erhardt
for adults

pieces fig.

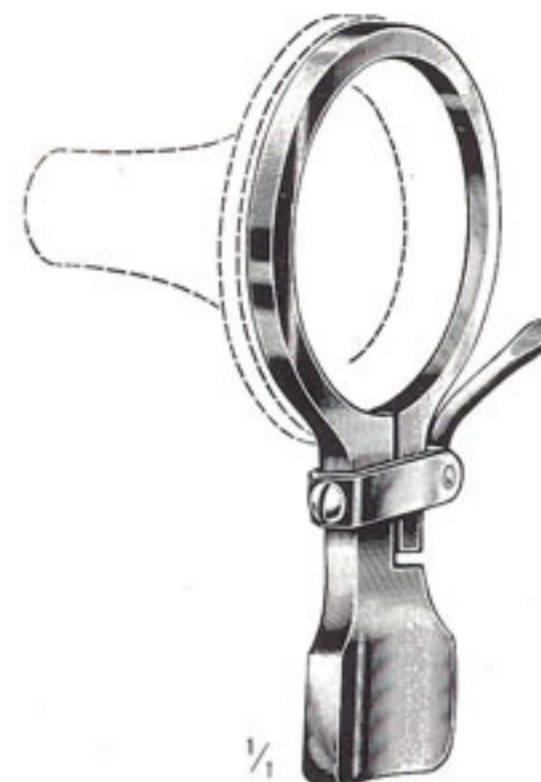
Set of	3	1-3	1-122-03
--------	---	-----	----------



Gruber
for adults

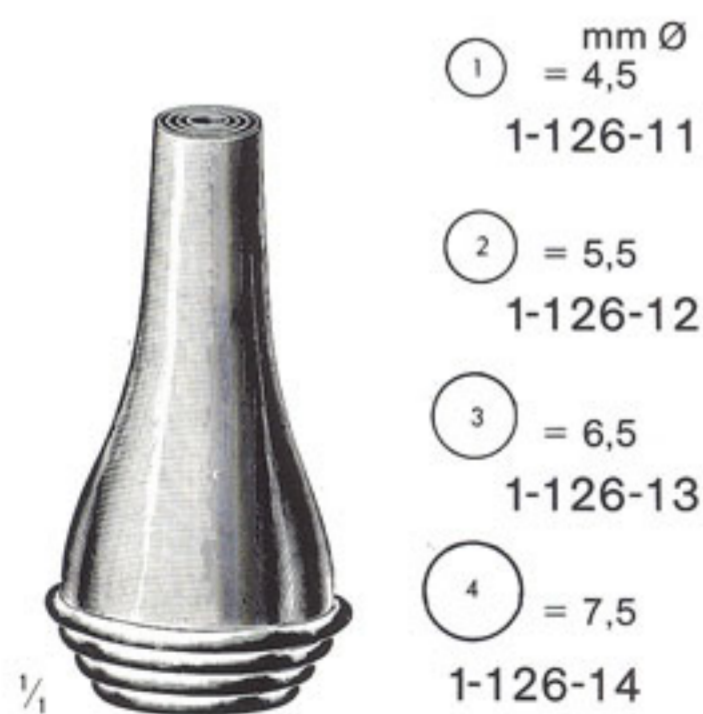
pieces fig.

3	2-4	1-124-03
4	1-4	1-125-04



Mod. Martin
1-142-00

Speculum Holder for 36-140-00



Gruber
for adults

pieces fig.

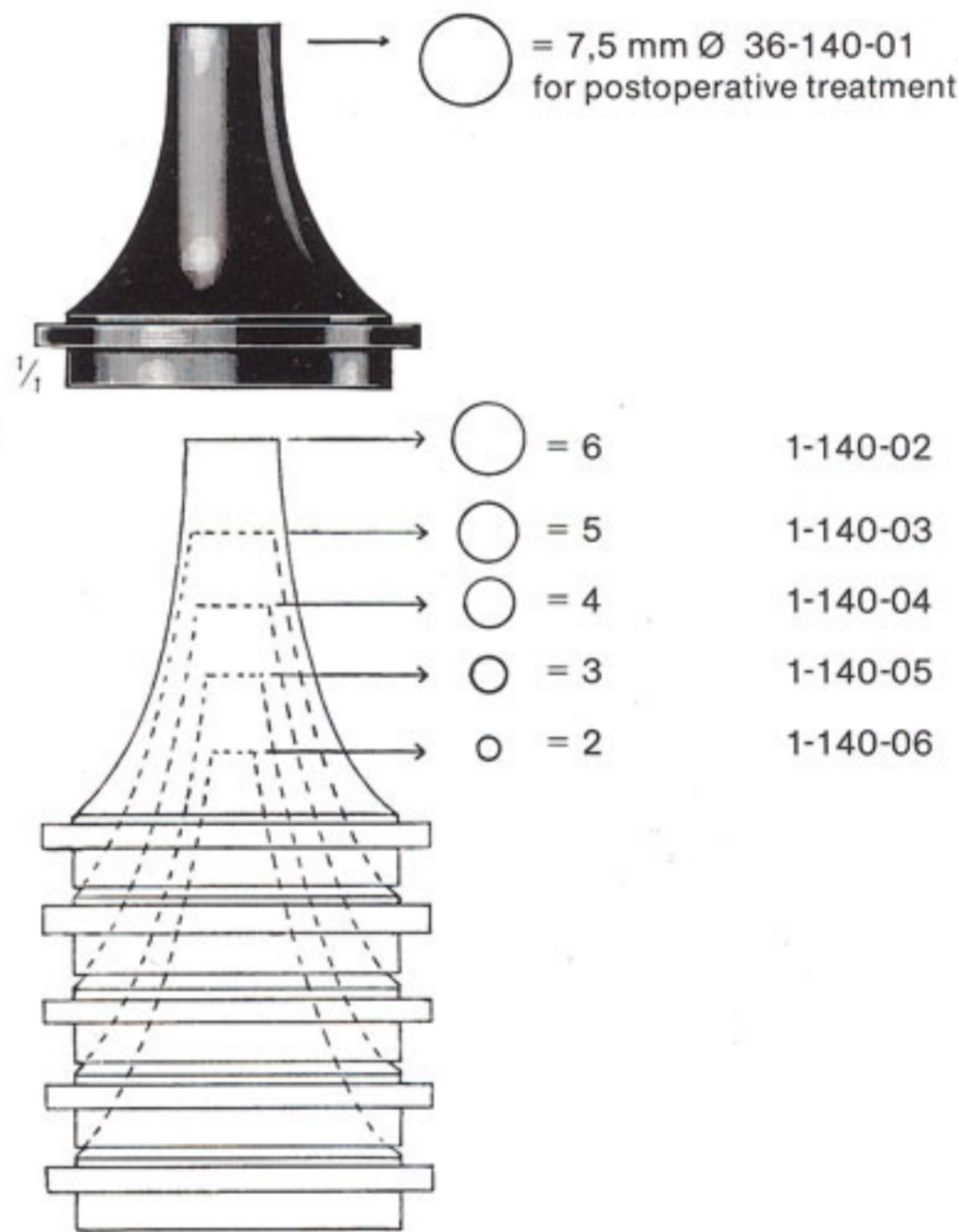
Set of	3	2-4	1-126-03
	4	1-4	1-127-04



Hartmann
for postoperative treatment

pieces fig.

2	1-2	1-130-02
---	-----	----------



Martin-Antireflex
1-140-00

Set of 6 pieces, of Polyamid (Nylon)