

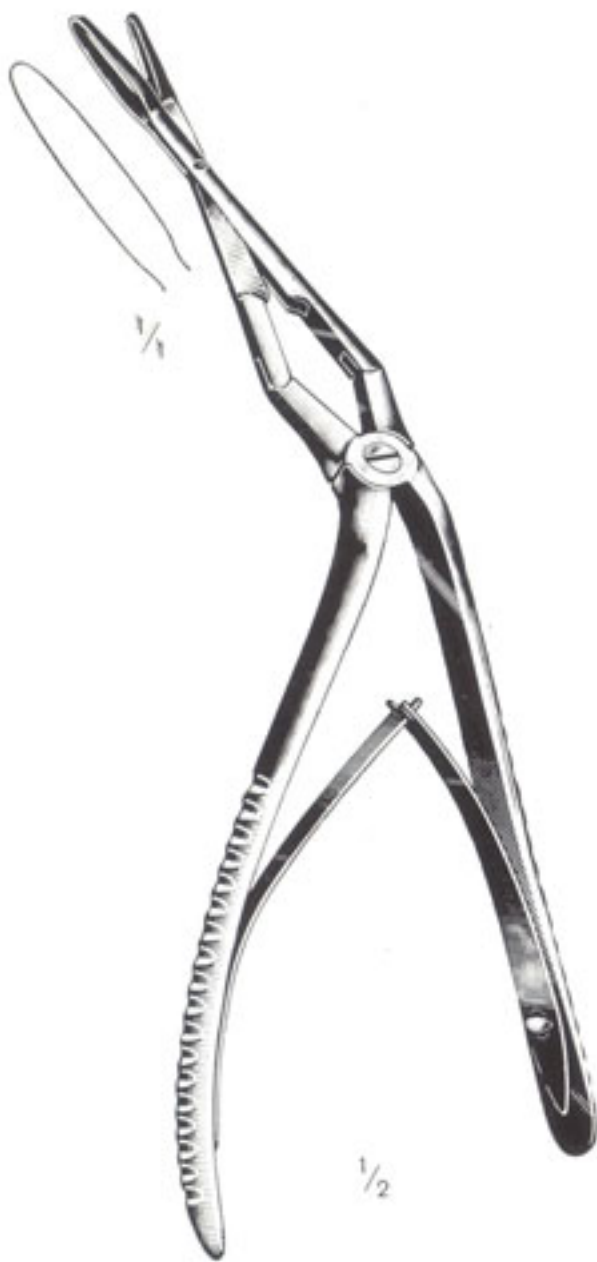
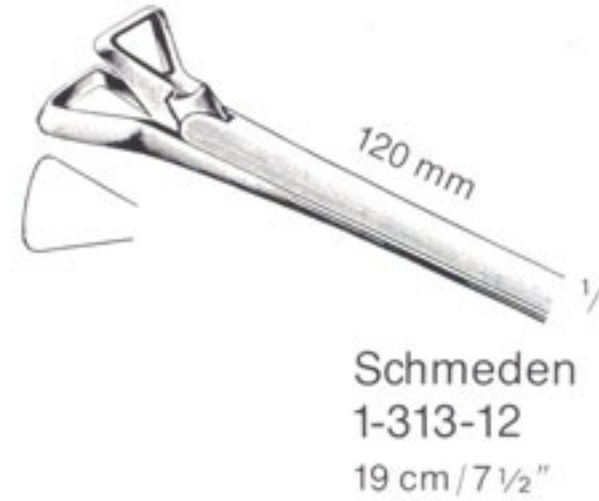
The logo for Precision Instruments Corp features the company name in a white, sans-serif font. The text is split across two overlapping horizontal bars: an orange bar on the left and a black bar on the right. The background of the entire page is white, with a large, vibrant blue curved shape on the left side that partially overlaps the orange bar.

Precision Instruments Corp

Surgical Instruments

Scharfe Nasenzangen, Conchotome Nasal Cutting and Punch Forceps Pinzas cortantes para la nariz, Concotomos

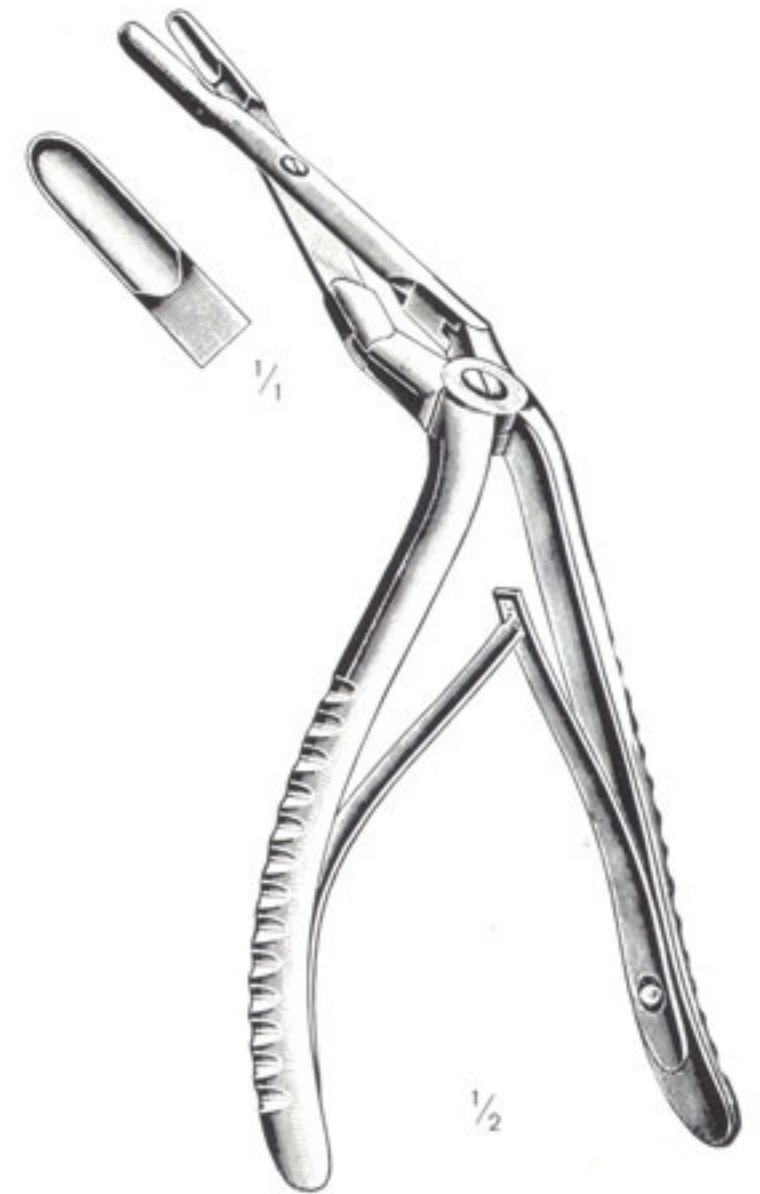
-  1-309-01
5 mm
 -  1-309-02
7 mm
 -  1-309-03
9 mm
 -  1-309-04
11 mm
- $\frac{1}{4}$



Jansen-Struycken
1-321-19
19 cm / 7 1/2"



Middleton-Jansen
1-323-19
19 cm / 7 1/2"



Middleton-Jansen
1-327-19
19 cm / 7 1/2"

1-309-01 – 1-315-12
1-321-19

durchschneidend, gefenestertes Maul, mit Ringbranchen
Septumzange, mit Übersetzung, durchschneidend, schlankes Modell

– through-cutting, fenestrated jaws, with ring handles
– Septum Punch with double articulation, extra slender shape, through-cutting

– cortantes, bocas fenestradas, con mangos anulares
– Pinza cortante para el tabique nasal, con articulación doble, modelo delgado, bocas cortantes la una en la otra
– idem, modelo regular
– idem, bocas cortantes la una sobre la otra, bocas en forma de cucharillas

1-323-19
1-327-19

ditto, reguläres Modell
ditto, aufeinanderschneidend, volles Maul

– ditto, regular pattern
– Septum Bone Forceps, spoon-shaped jaws