

The logo for Precision Instruments Corp features the company name in a white, sans-serif font. The text is split across two overlapping horizontal bars: an orange bar on the left and a black bar on the right. The background of the entire page is white, with a large, vibrant blue curved shape on the left side that partially overlaps the orange bar.

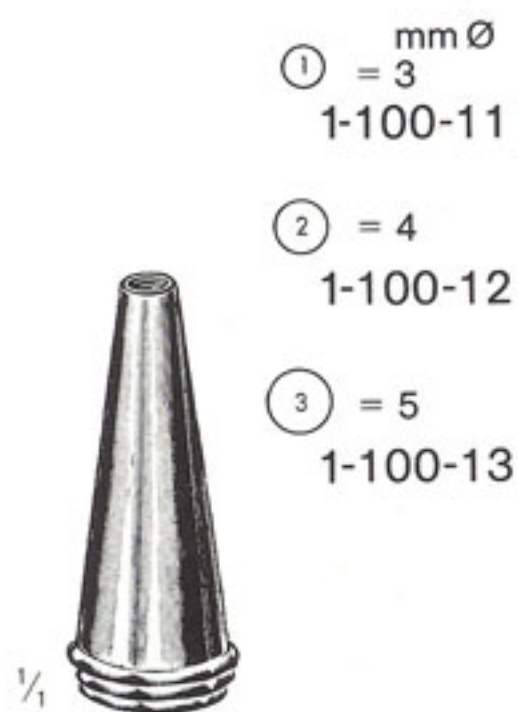
Precision Instruments Corp

Surgical Instruments

INDEX

P	Section 13:	Otologie - Otology - Otologia			
1.	Ohrspekula Ear Specula Especulos auriculares	3	to	4	pages
2.	Stimmgabeln Tuning Forks Diapasones	5	to	5	pages
3.	Polypenschnurer, Ohrpinzetten Ear Polypus Snares And Dressing Forceps Polipotomos, Pinzas auriculares	6	to	6	pages
4.	Polypenzangchen , Fremdkorperhebel Ear Polypus Forceps, Foreign Body Levers Pinzas para polipos, Elevadores para cuerpos extranos	7	to	8	pages
5.	MeBel, Knochenstanzen Ear Chisels, Gouges and Punches Cinceles y Gubias, Pinzas-osteotomos	9	to	9	pages
6.	Kurettten,Loffel Curettes and Spoons Curetas y Cucharillas	10	to	10	pages

Ohrspekula Ear Specula Especulos auriculares

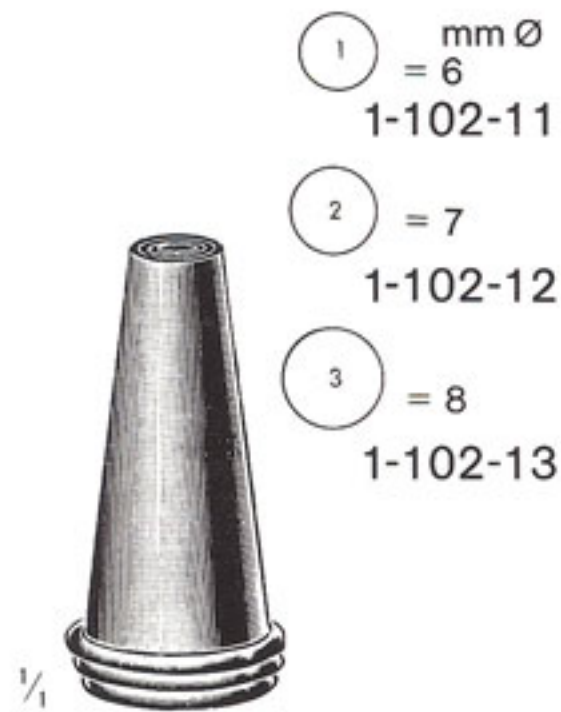


Troeltsch
for babies

pieces fig.

Set of 3 1-3 1-100-03

- ① = 3 mm Ø
1-100-11
- ② = 4
1-100-12
- ③ = 5
1-100-13

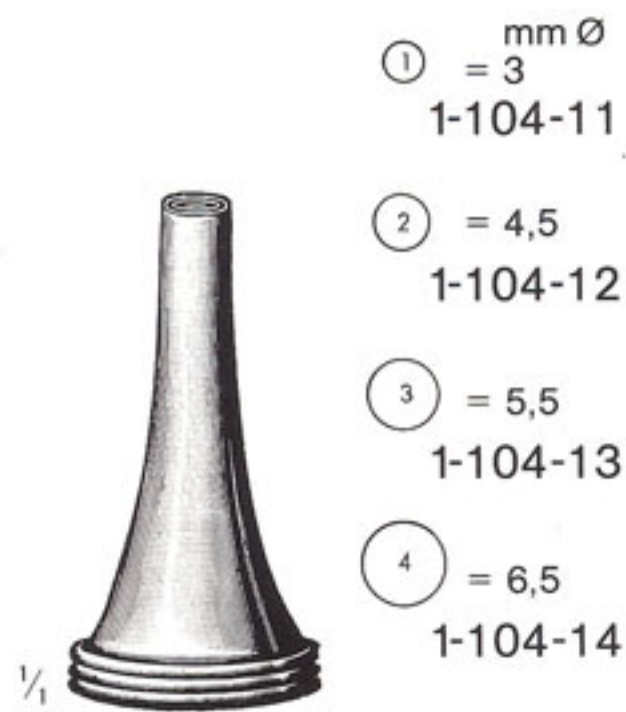


Troeltsch
for adults

pieces fig.

3 1-3 1-102-03

- ① = 6 mm Ø
1-102-11
- ② = 7
1-102-12
- ③ = 8
1-102-13

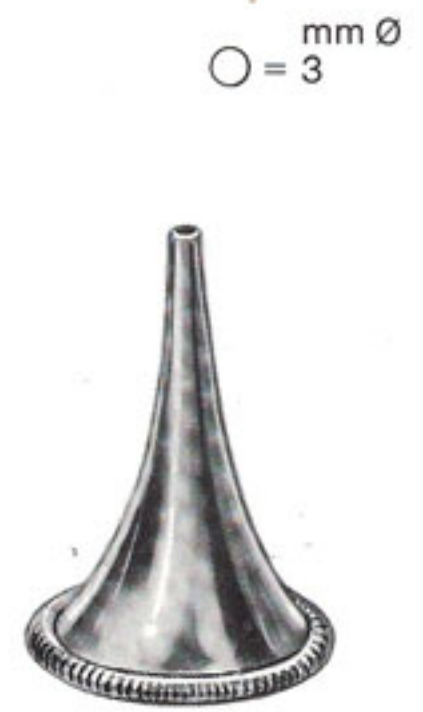


Poltzer
for adults

pieces fig.

3 2-4 1-104-03
4 1-4 1-105-04

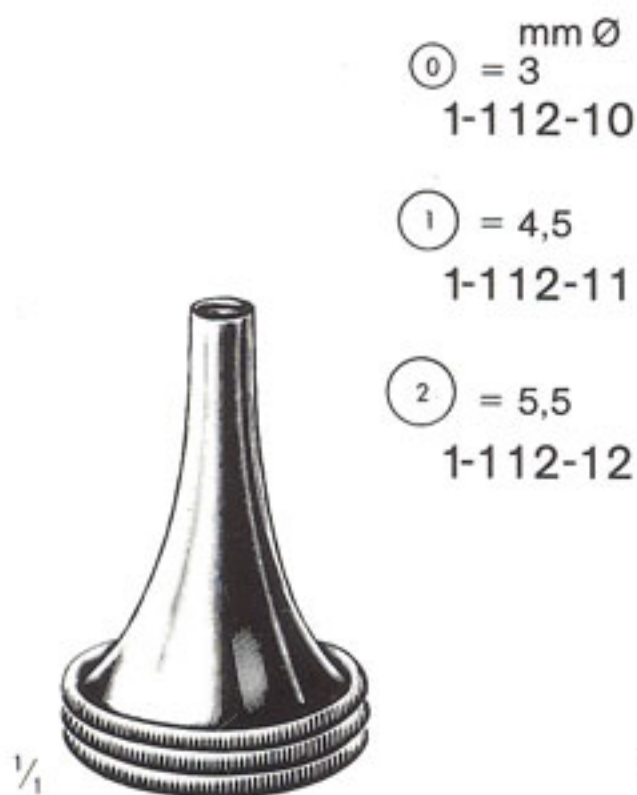
- ① = 3 mm Ø
1-104-11
- ② = 4,5
1-104-12
- ③ = 5,5
1-104-13
- ④ = 6,5
1-104-14



Hartmann
1-112-10
for babies

- = 3 mm Ø

■ Otoscopy Set see page 205

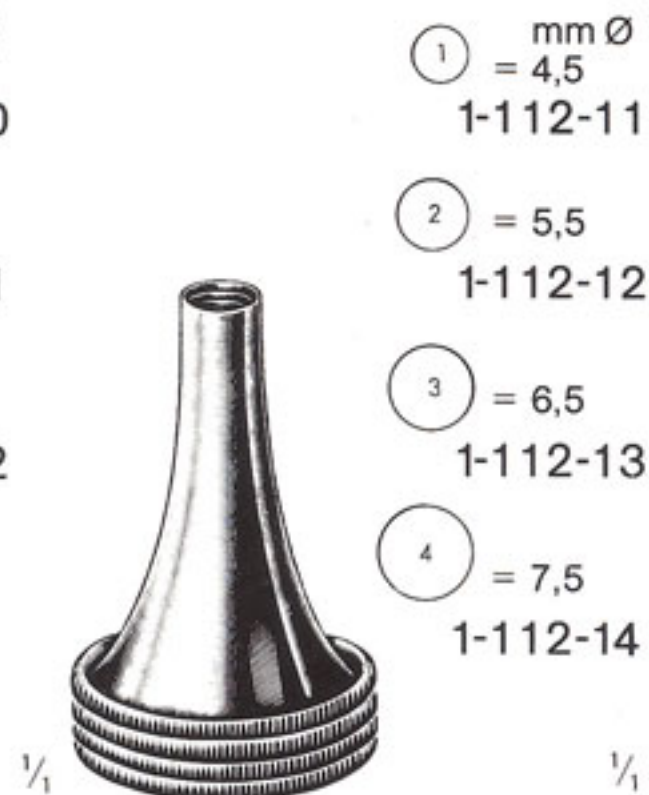


Hartmann
for children

pieces fig.

Set of 3 0-2 1-112-03

- ① = 3 mm Ø
1-112-10
- ② = 4,5
1-112-11
- ③ = 5,5
1-112-12

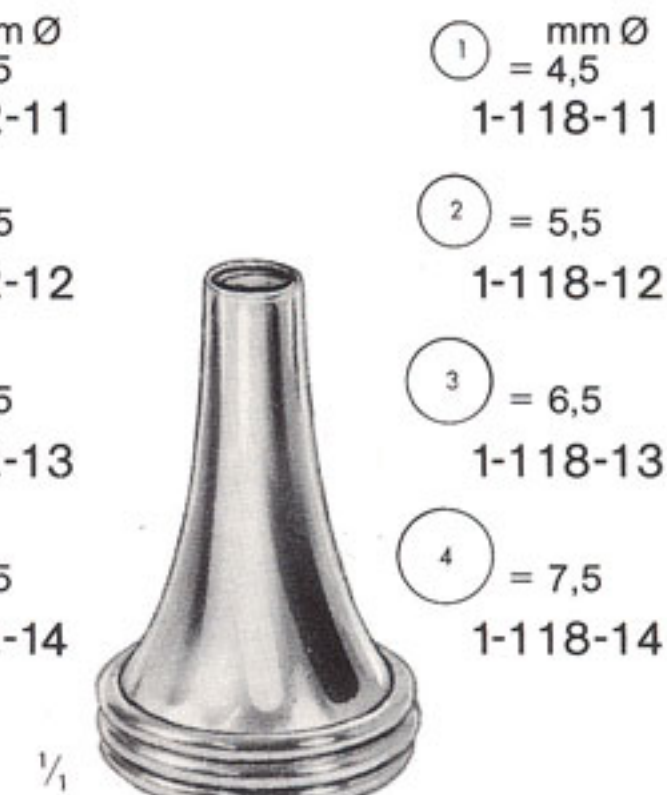


Hartmann
for adults

pieces fig.

3 2-4 1-114-03
4 1-4 1-115-04

- ① = 4,5 mm Ø
1-112-11
- ② = 5,5
1-112-12
- ③ = 6,5
1-112-13
- ④ = 7,5
1-112-14



Toynbee
for adults

pieces fig.

3 2-4 1-118-03
4 1-4 1-119-04

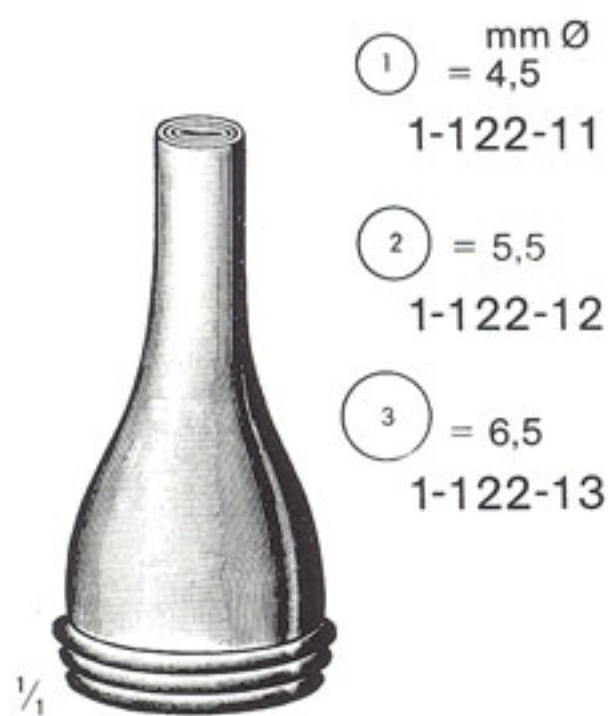
- ① = 4,5 mm Ø
1-118-11
- ② = 5,5
1-118-12
- ③ = 6,5
1-118-13
- ④ = 7,5
1-118-14



Hartmann
1-112-11
for children

- = 4,5 mm Ø

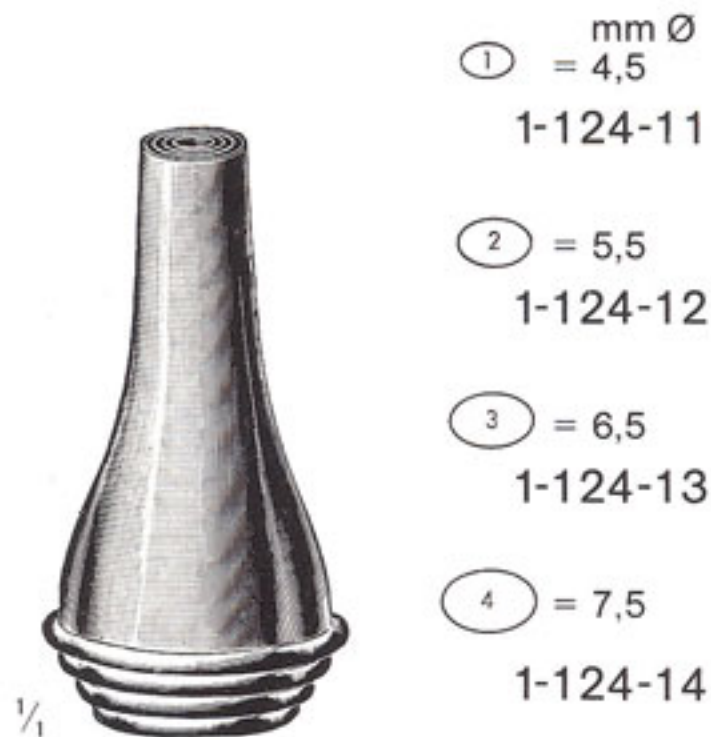
Ohrspekula Ear Specula Especulos auriculares



Erhardt
for adults

pieces fig.

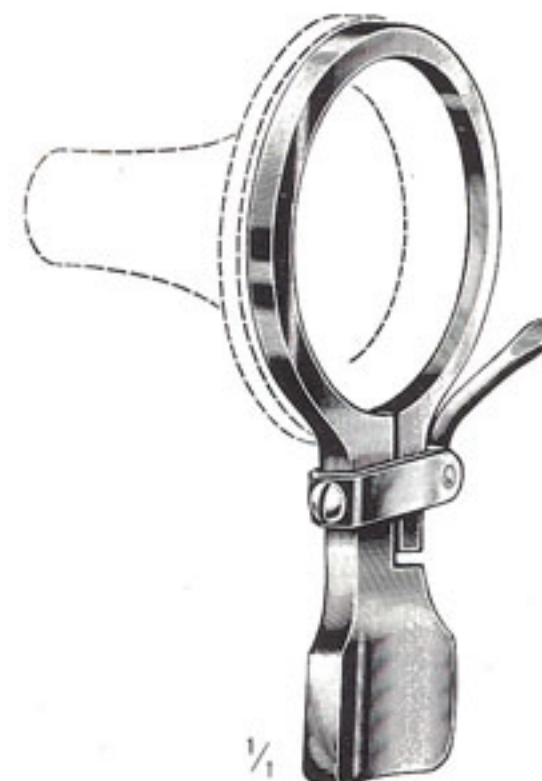
Set of	3	1-3	1-122-03
--------	---	-----	----------



Gruber
for adults

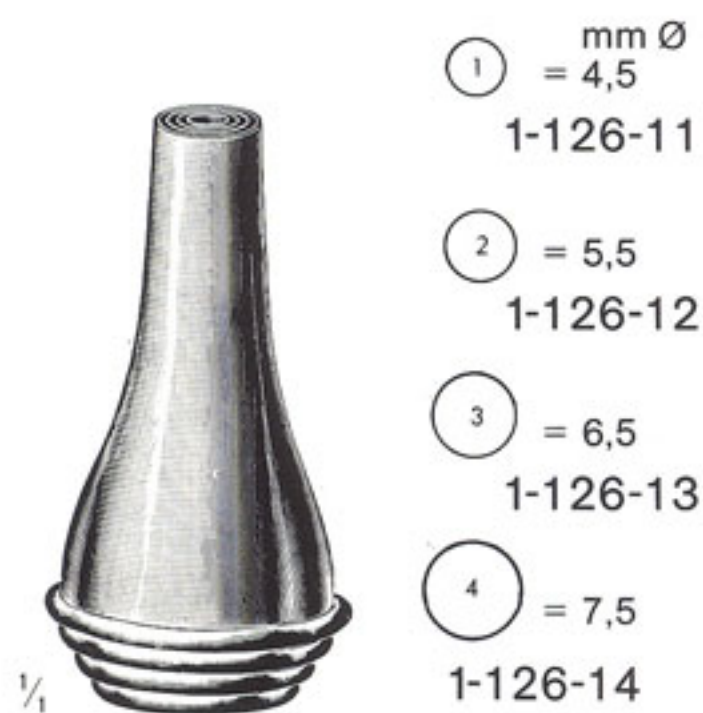
pieces fig.

3	2-4	1-124-03
4	1-4	1-125-04



Mod. Martin
1-142-00

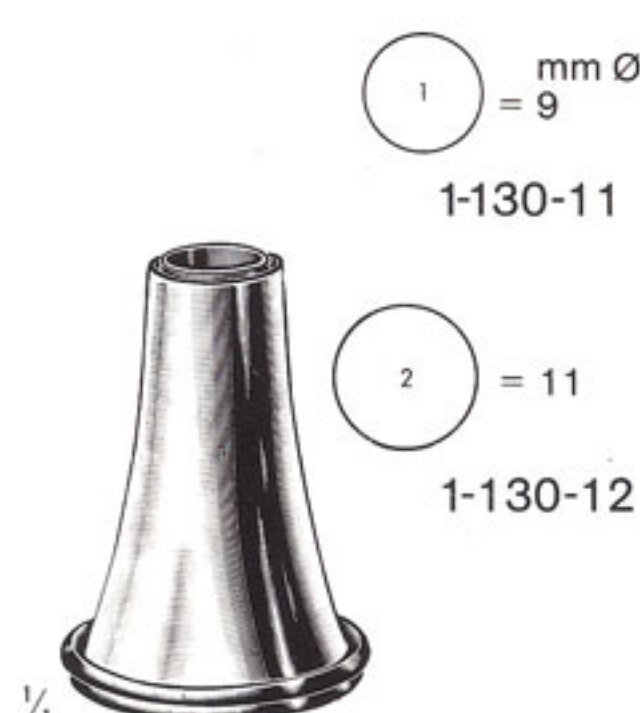
Speculum Holder for 36-140-00



Gruber
for adults

pieces fig.

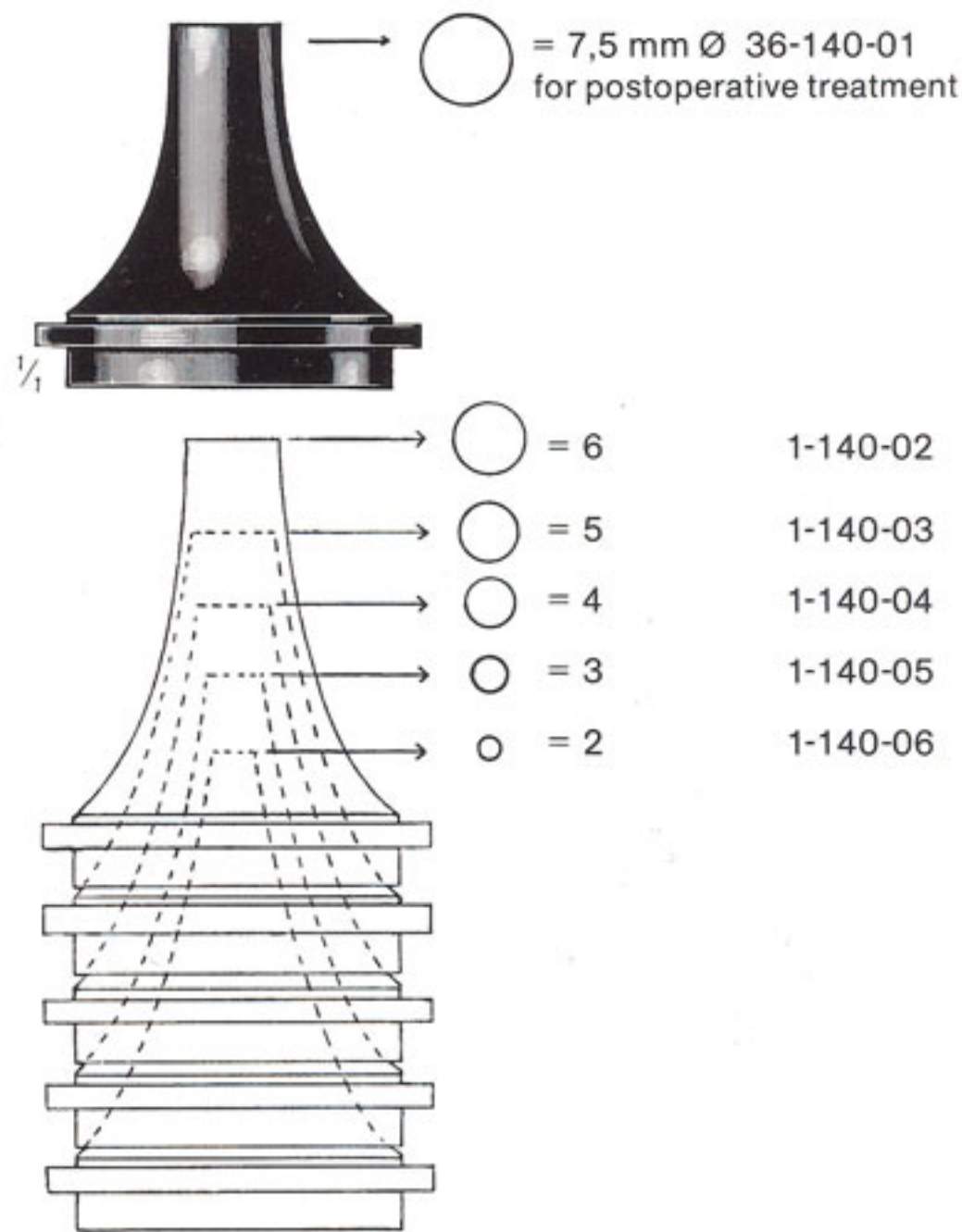
Set of	3	2-4	1-126-03
	4	1-4	1-127-04



Hartmann
for postoperative treatment

pieces fig.

2	1-2	1-130-02
---	-----	----------



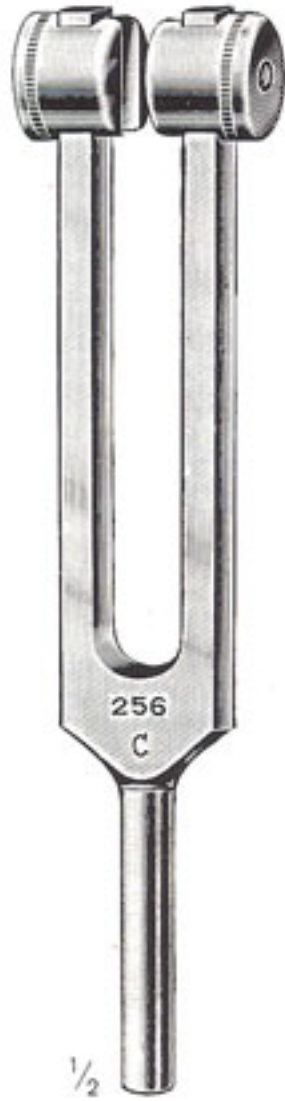
Martin-Antireflex
1-140-00

Set of 6 pieces, of Polyamid (Nylon)

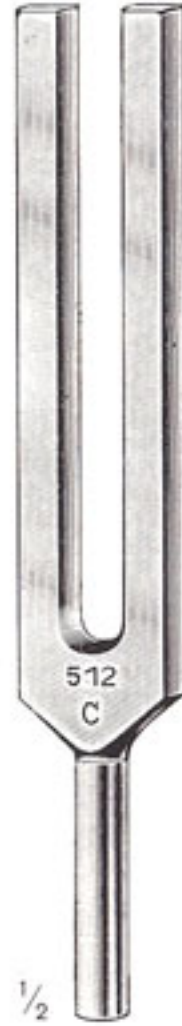
Stimmgabeln Tuning Forks Diapasones



Martin-Alloy
1-180-10
c 128



Martin-Alloy
1-182-11
c¹ 256



Martin-Alloy
1-184-12
c² 512



Martin-Alloy
1-186-13
c³ 1024



Martin-Alloy
1-188-14
c⁴ 2048



Hartmann
1-189-10
c 128



Hartmann
1-192-11
c¹ 256



Hartmann
1-194-12
c² 512



Hartmann
1-196-13
c³ 1024



Hartmann
1-198-14
c⁴ 2048



Hartmann
1-200-15
c⁵ 4096

Polypenschnurer, Ohrpinzetten

Ear Polypus Snares And Dressing Forceps

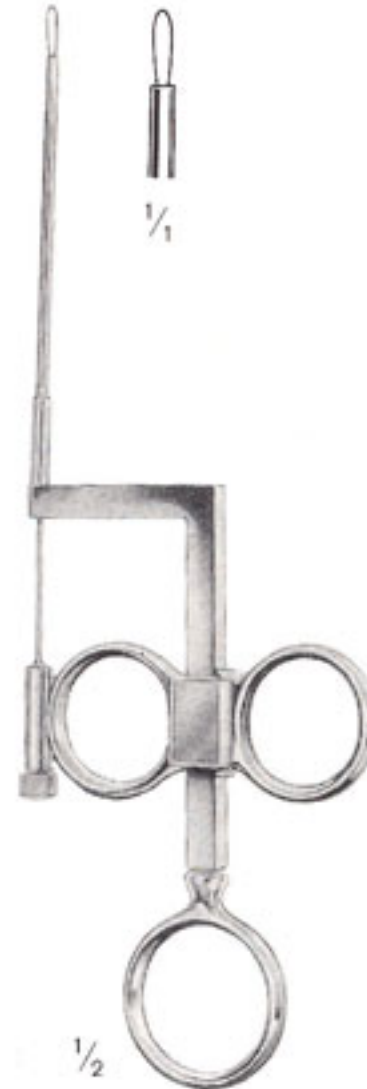
Polipotomos, Pinzas auriculares



Krause
1-351-16



Krause-Voss
1-353-16



Lange-Wilde
1-355-17



10 m/33 ft.

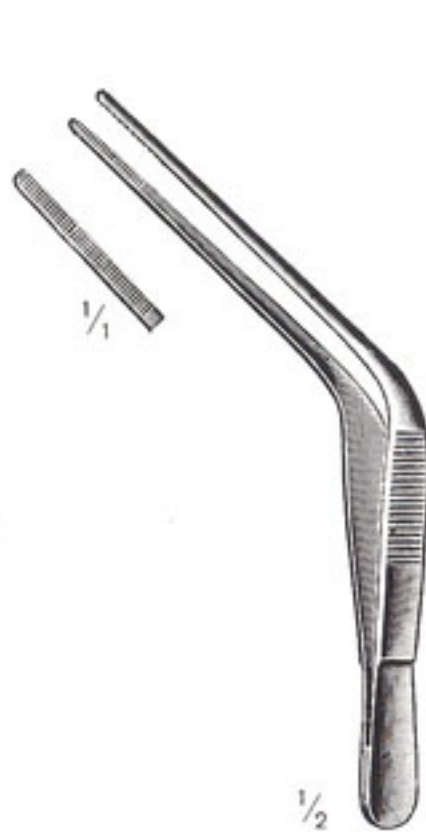
mm Ø	
0,3	1-358-30
0,4	1-358-40



mm Ø	
0,2	1-359-20
0,3	1-359-30



Troeltsch (Wilde)
1-371-11
11 cm/4½"



Troeltsch (Wilde)
1-375-12
12 cm/4¾"



Troeltsch (Wilde)
1-381-13
13 cm/5"



Lucae
1-391-14
14 cm /5½"



Jansen
1-395-16 = 16 cm/6¼"
1-395-20 = 20 cm/8"

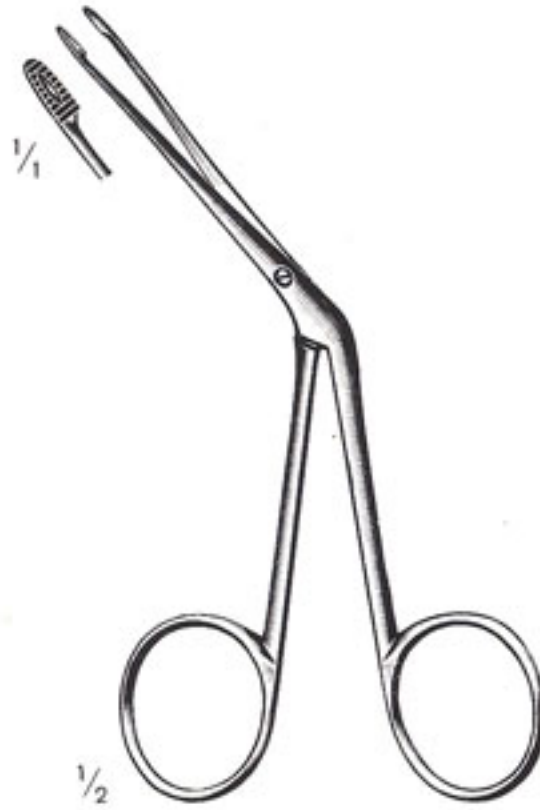
1-351-16 – 1-355-17
1-358-30 – 1-358-40
1-359-20, 1-359-30

Ear Polypus Snares
Steel Wire for ear snares
Steel Wire Loops for ear snares,
pre-shaped, in bundles
of 1 dozen each

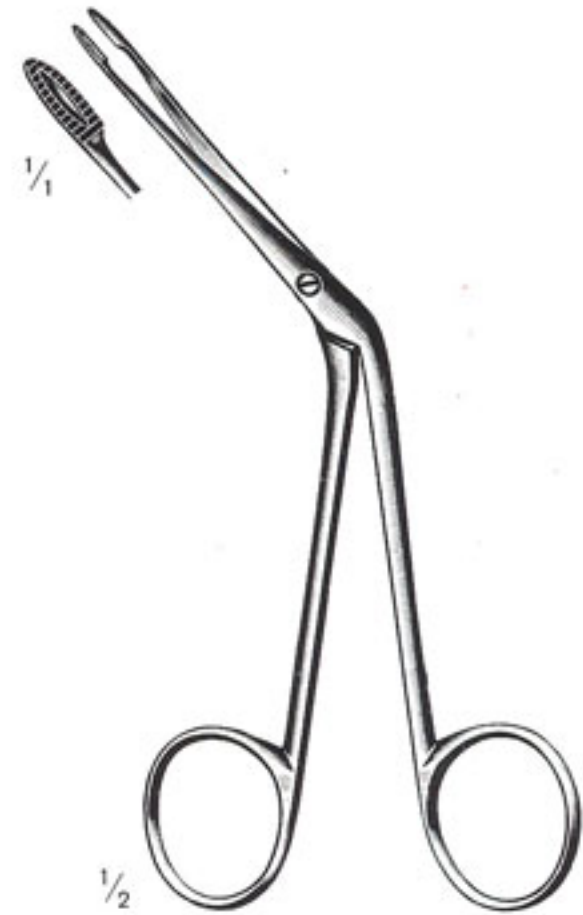
Polypenzangchen , Fremdkörperheber
 Ear Polypus Forceps, Foreign Body Levers
 Pinzas para polipos, Elevadores para cuerpos extraños



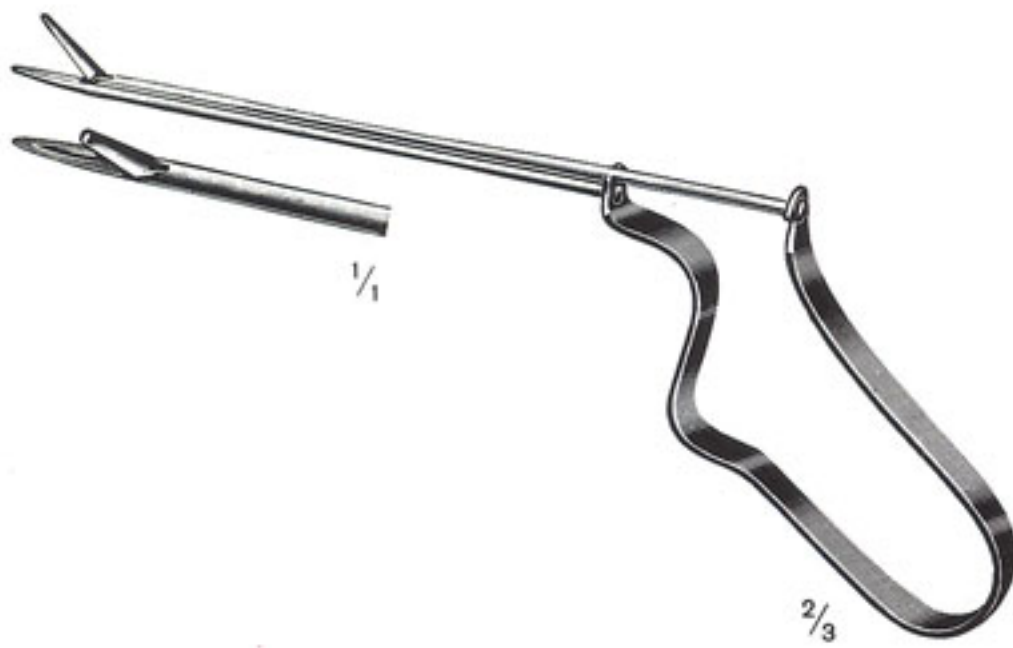
Littauer
 1-401-12
 12 cm / 4 3/4"



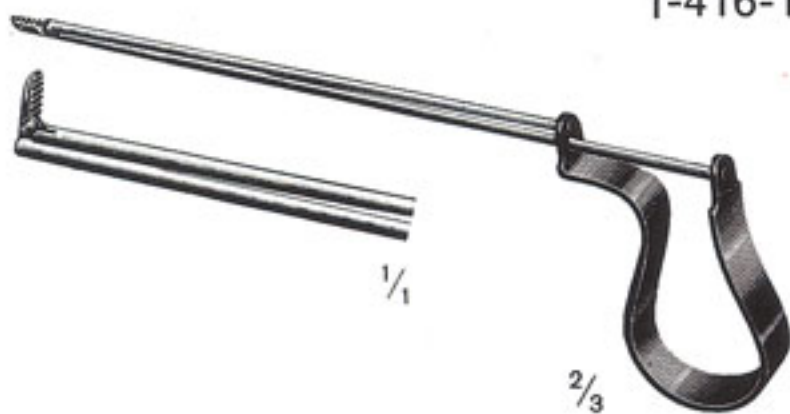
Hartmann
 1-405-12
 12 cm / 4 3/4"
 fine pattern



Hartmann
 1-407-14
 14 cm / 5 1/2"
 standard pattern



Buck
 1-416-11



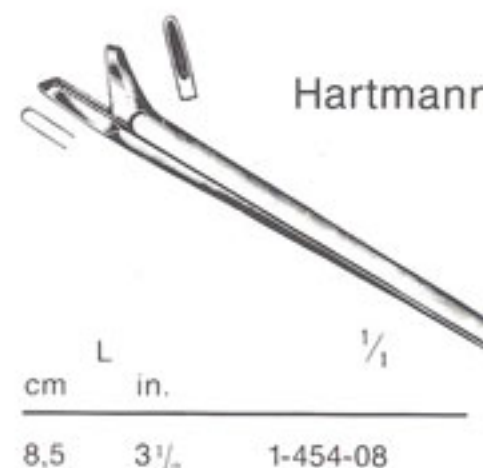
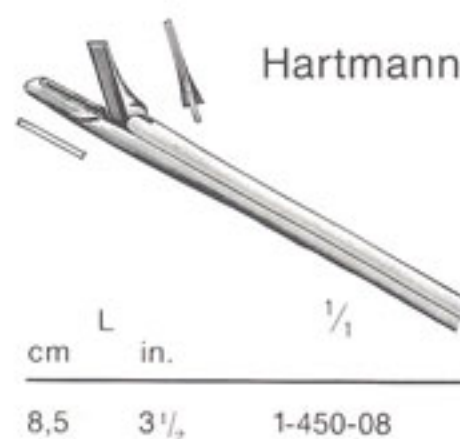
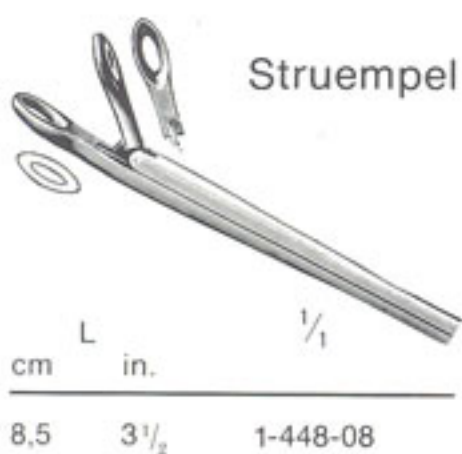
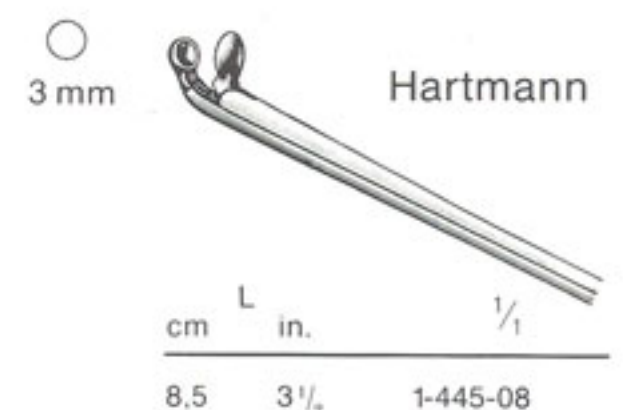
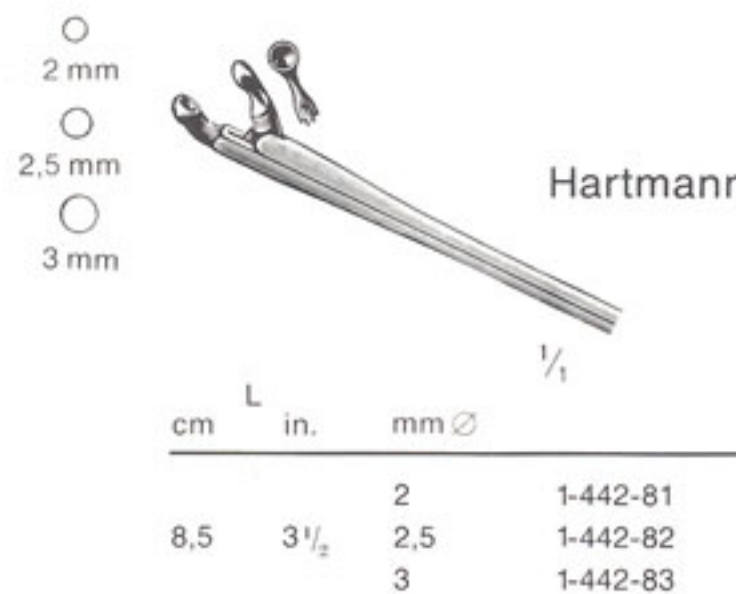
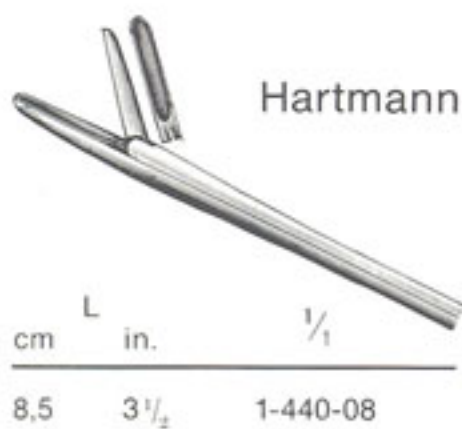
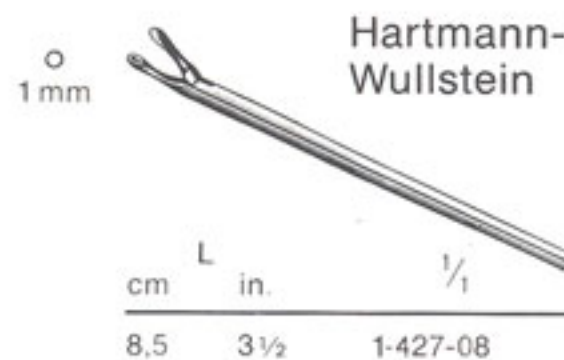
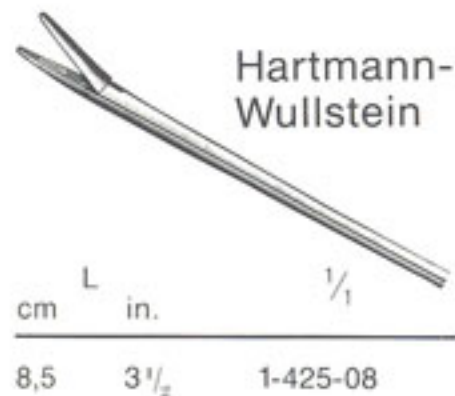
Quire
 1-418-10



1-425-08 - 1-456-08

1-401-12 - 1-407-14 | Ear Polypus Forceps
 1-416-11 - 1-418-10 | Foreign Body Levers

Polypenzangchen , Fremdkörperheber Ear Polypus Forceps, Foreign Body Levers Pinzas para polipos, Elevadores para cuerpos extranos



1-450-08, 1-454-08, 1-456-08

punch action through-cutting, also for foreign bodies

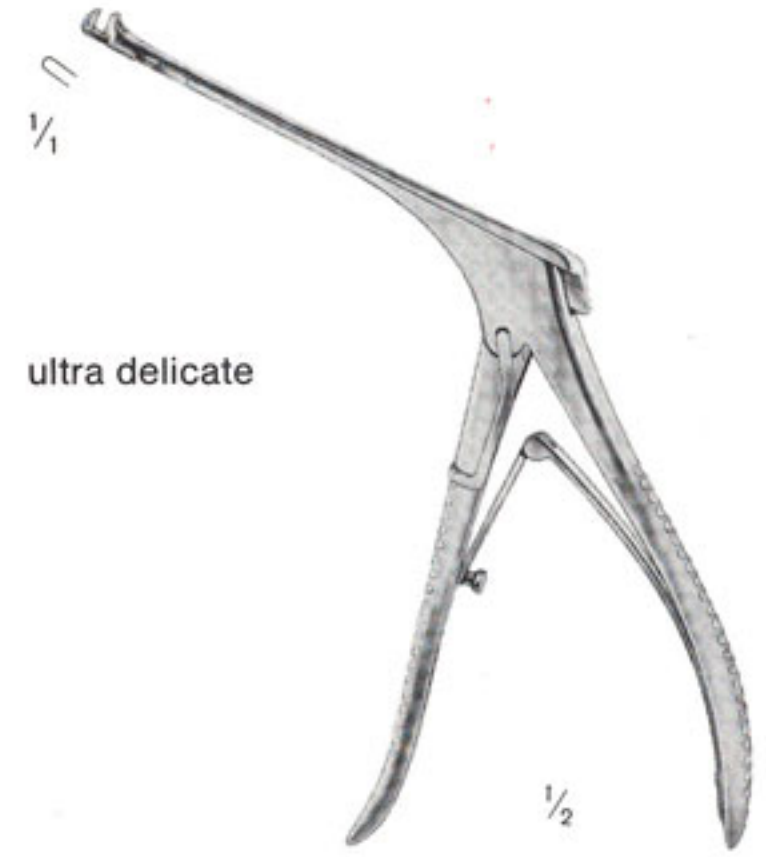
MeBel, Knochenstanzen Ear Chisels, Gouges and Punches Cinceles y Gubias, Pinzas-osteotomos



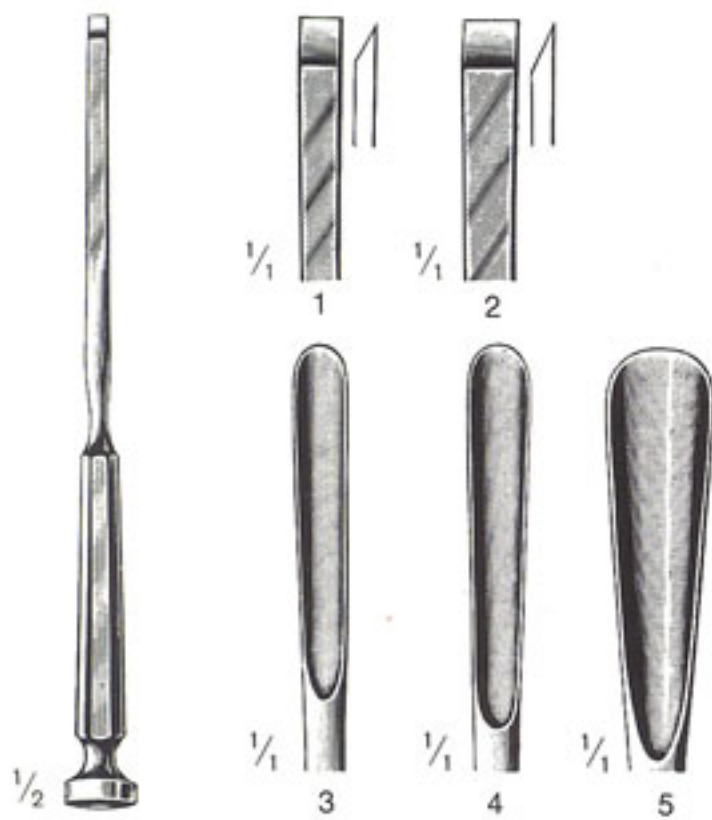
Citelli
1-461-17



Beyer
1-463-19

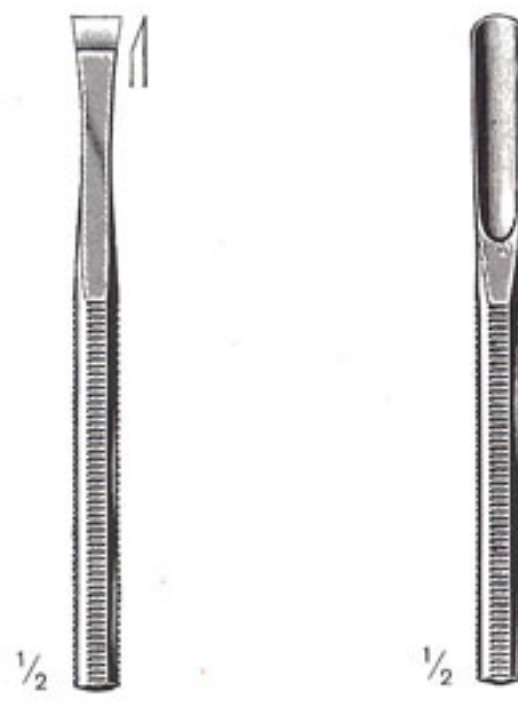


Beyer
1-466-14



Fischer
12,5 cm / 5"

Fig.	width mm	
1	4	1-470-04
2	5	1-470-05
3	4	1-471-04
4	5	1-471-05
5	9	1-471-09



Schwartz
11 cm / 4 1/2"

chisels	width mm	gouges
1-478-03	3	1-479-03
1-478-04	4	1-479-04
1-478-05	5	1-479-05
1-478-06	6	1-479-06
1-478-08	8	1-479-08



Stacke
1-485-12
12 cm / 4 3/4"

Protector and Guide



Langenbeck
1-491-13
13 cm / 5 1/4"

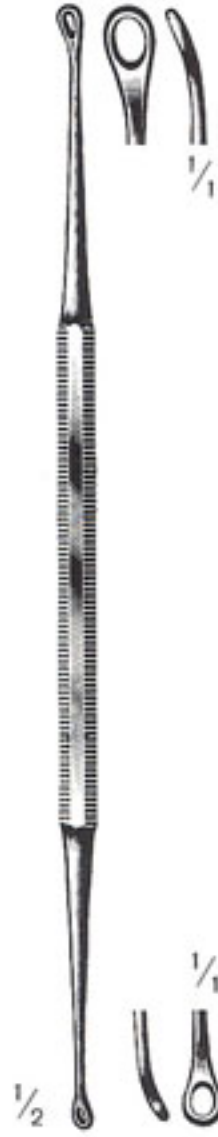
Kuretten, Löffel

Curettes and Spoons

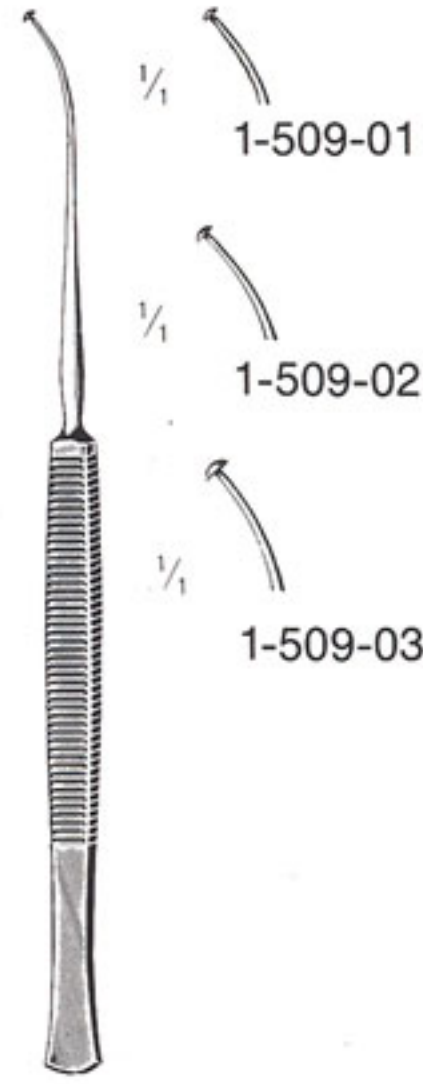
Curetas y Cucharillas



Coxeter
1-501-15
15 cm/6"
blunt



Mod. Martin
1-505-17 = blunt
1-506-17 = sharp



Yankauer
16 cm/6½"



Wolf
1-520-16
16 cm/6½"
sharp



Bishop
sharp



Jansen
1-532-15
sharp



Barth
1-534-18
18 cm/7¼"
sharp



House
1-536-15
15 cm/6"



Antoli-
Candela
1-538-15
15 cm/6"