

The logo for Precision Instruments Corp features the company name in a bold, sans-serif font. The text is split across two overlapping horizontal bars: an orange bar on the left and a black bar on the right. The background of the entire page is white, with a large blue curved shape on the left side.

Precision Instruments Corp

Surgical Instruments

INDEX

Section 2. Diagnostics and Puncture Instruments

1. Perkussionshammer
Percussion Hammers 3 to 4 pages
Martillos de percusion

2. Soden,Papillotom
Probes, Pepillotome 5 to 5 page
Estiletos,Papilotomo

3. Trokare
Trocars 6 to 7 pages
Trocares

Perkussionshammer Percussion Hammers Martillos de percusion



of metal
1/2
Seitz
1-100-10
10 cm/4"
3 mm



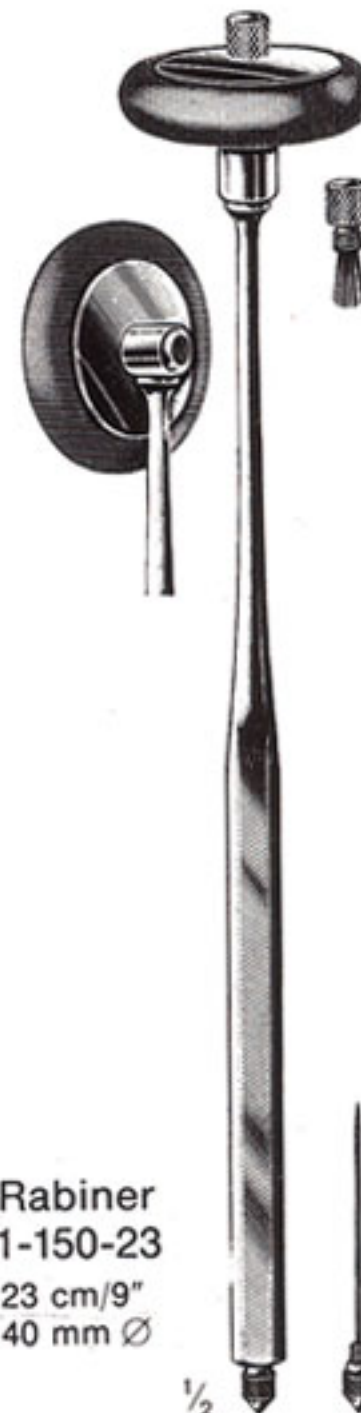
1/2
Traube
1-116-16
16 cm/6 1/4"



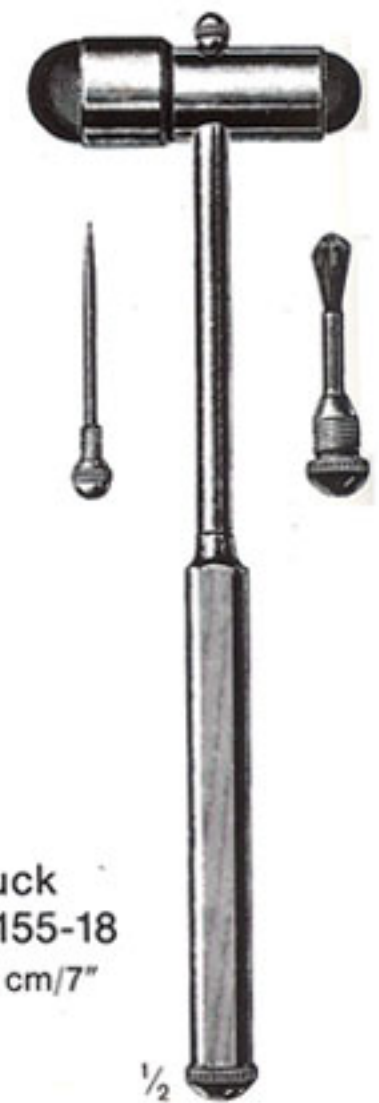
Babinsky
cm in. mm
Ø
1-120-22 22 8 3/4 40
1-125-25 25 10 47



Babinsky
cm in. mm
Ø
1-130-22 22 8 3/4 40
1-135-25 25 10 47

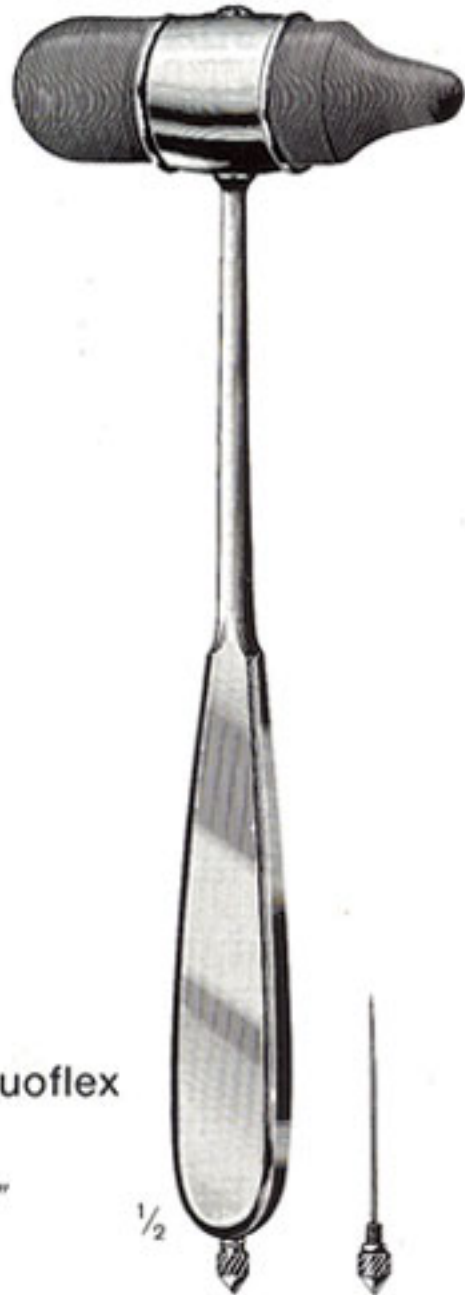


Rabiner
1-150-23
23 cm/9"
40 mm Ø



Buck
1-155-18
18 cm/7"

Perkussionshammer Percussion Hammers Martillos de percusion



Neuro-Duoflex
1-181-22
22 cm/8¾"

½



Déjerine
1-184-20
20 cm/8"

½



Déjerine
1-185-21
21 cm/8¼"

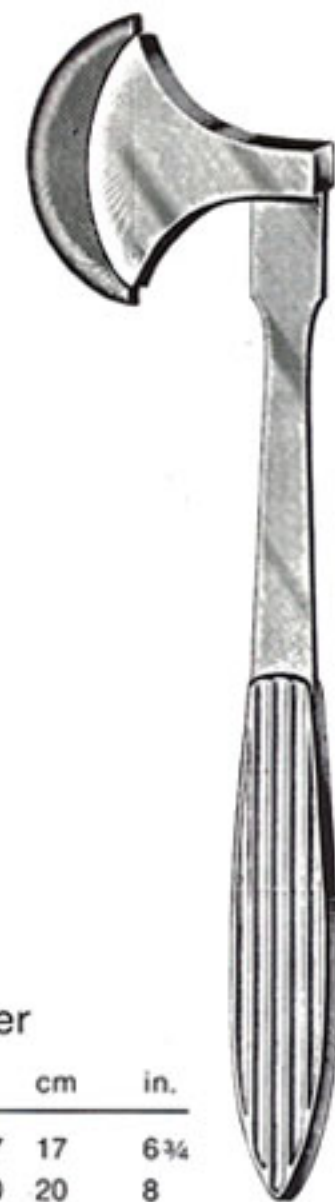
½



Taylor	Mod. USA	cm	in.
1-190-18	18	7	
1-190-20	20	8	

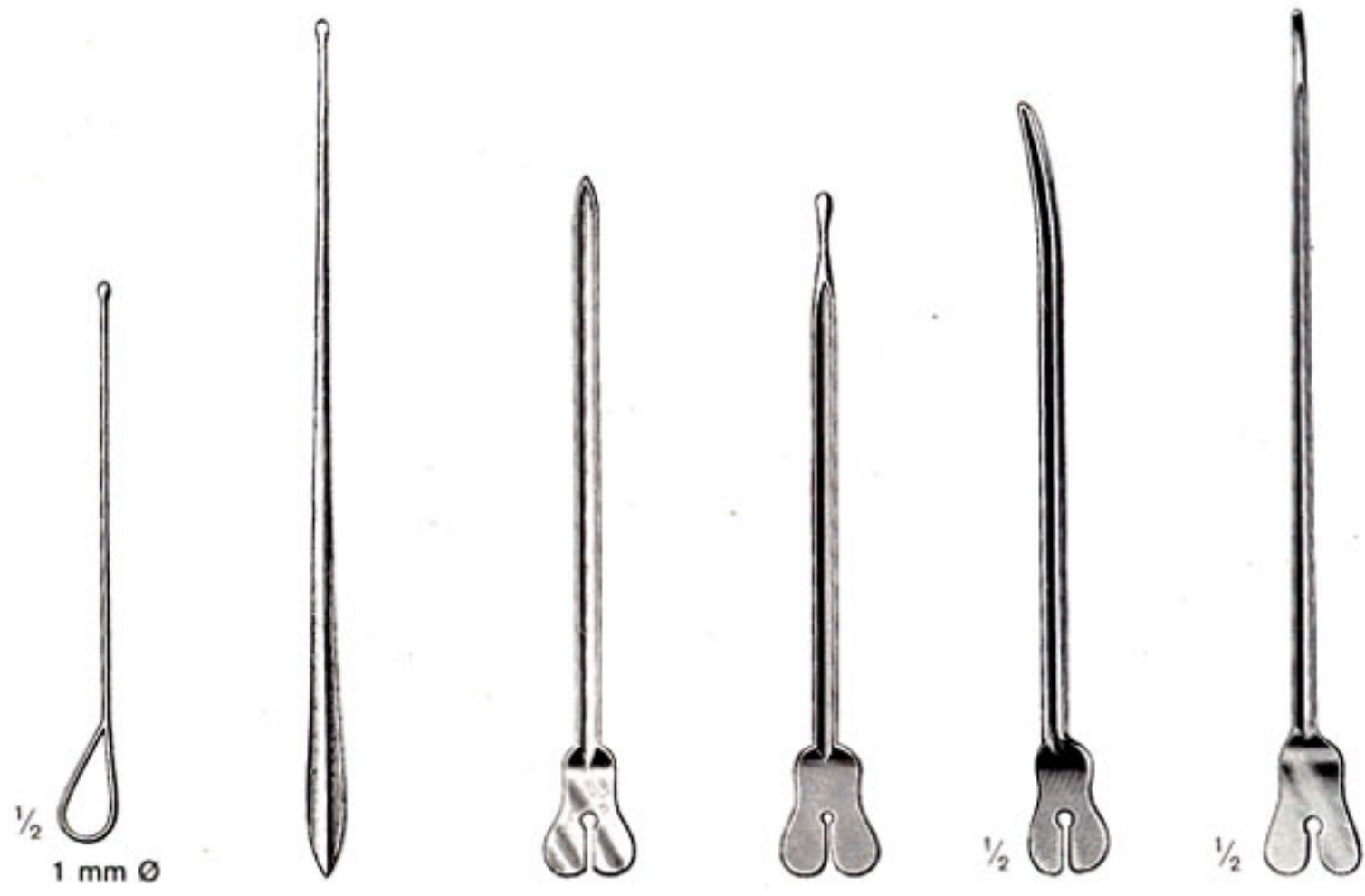


Taylor	cm	in.
1-192-18	18	7
1-192-20	20	8



Berliner	cm	in.
1-194-17	17	6¾
1-194-20	20	8

Soden, Papillotom Probes, Papillotome Estiletas, Papilotomo



cm	in.	Stacke		Doyen	Nélaton
10,5	4 1/4	1-130-10			
11,5	4 1/2		1-160-11		
13,0	5		1-160-13	1-170-13	
14,0	5 1/2				1-175-14
14,5	5 1/2		1-150-14	1-160-14	1-170-14
16,0	6 1/4		1-150-16	1-160-16	1-170-16
18,0	7			1-160-18	1-170-18
20,0	8			1-160-20	



Fluhrer
1-196-40 = 40 cm / 16"



Babcock
1-210-40 = 40 cm / 16"
1-210-50 = 50 cm / 20"
1-210-65 = 65 cm / 26"
1-210-80 = 80 cm / 32"



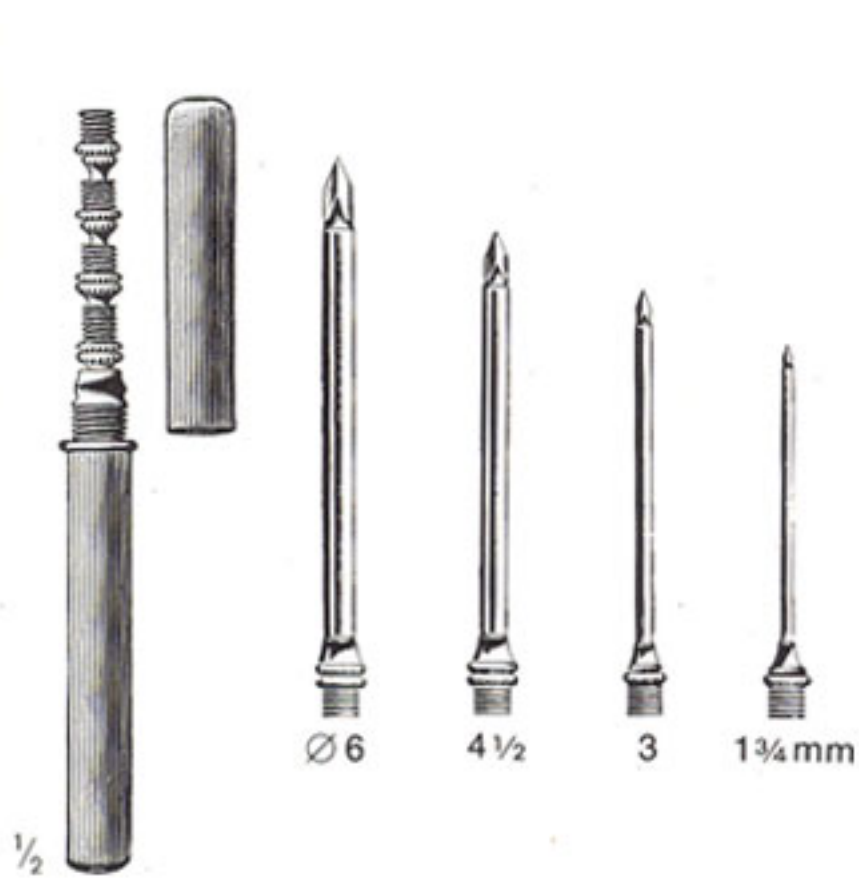
1-248-01
Probe, malleable

1-248-00
Papillotome,
complete with 3 cones



1-248-03
Set of cones

Trokare Trocars Trocares



Universal

1-300-03

set of 3 pieces

1-302-04

set of 4 pieces



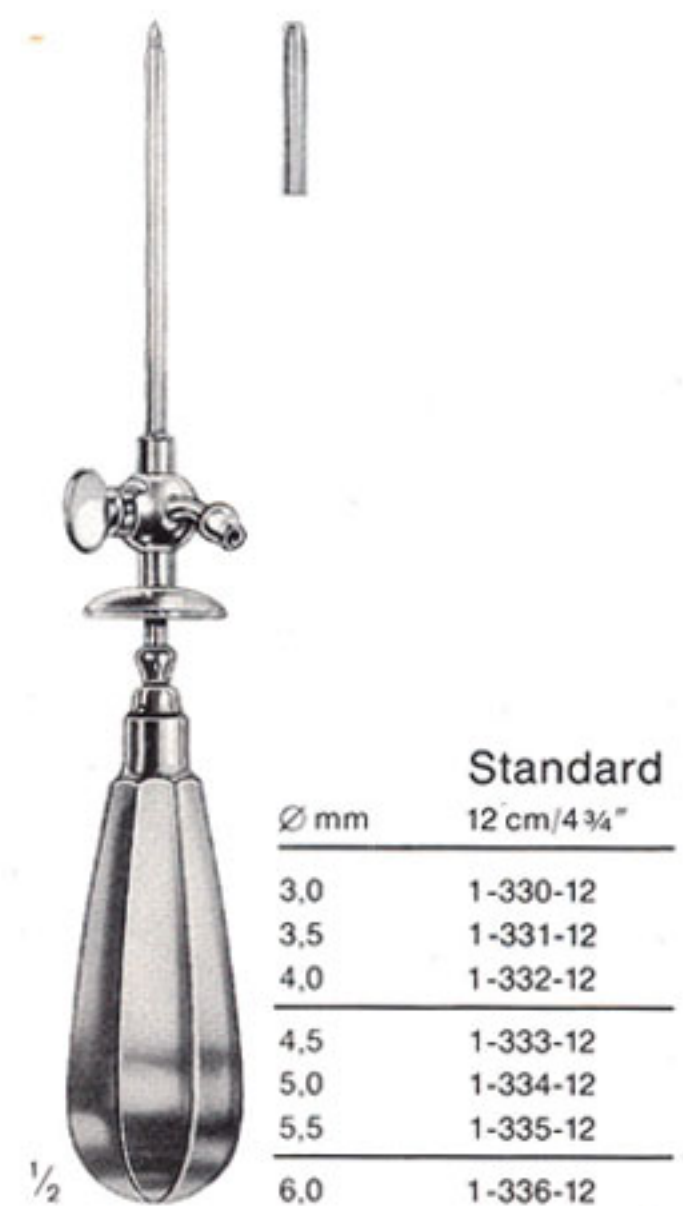
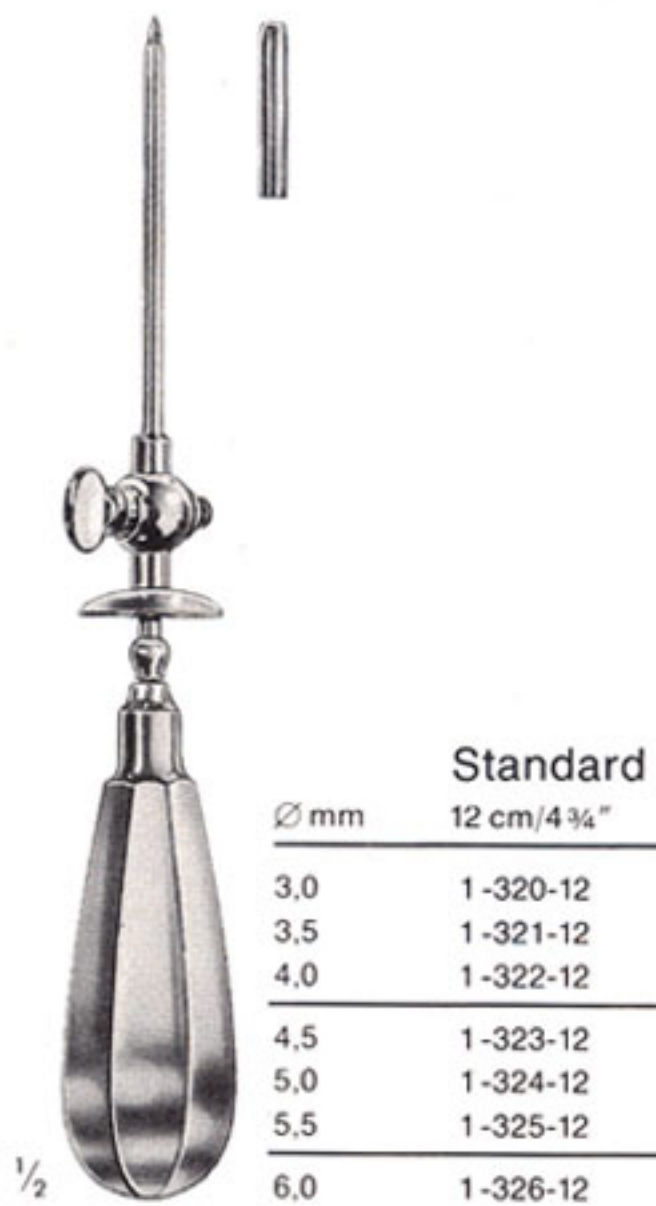
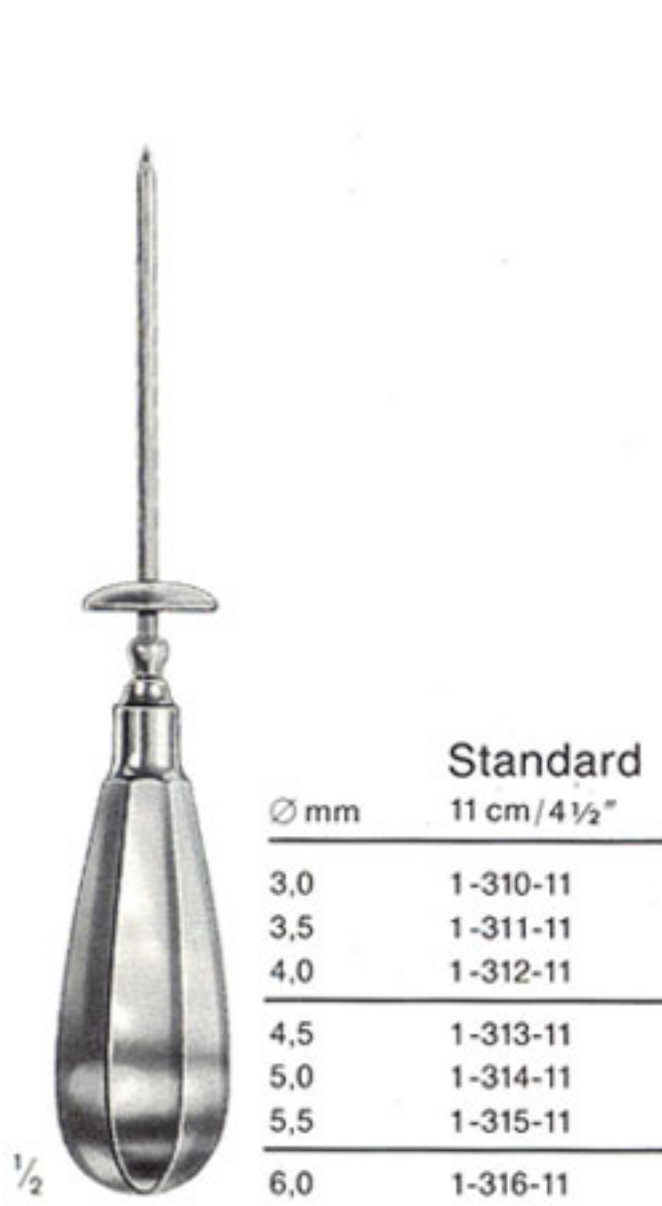
Universal

1-304-03

set of 3 pieces

1-306-04

set of 4 pieces



1-300-03 – 1-302-04

for abdominal puncture, round metal handle

1-304-03 – 1-306-04

ditto, flat-round metal handle

1-310-11 – 1-316-11

ditto, with shield

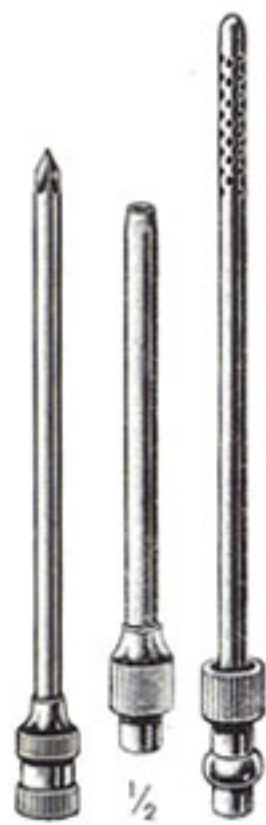
1-320-12 – 1-326-12

ditto, with shield and stopcock

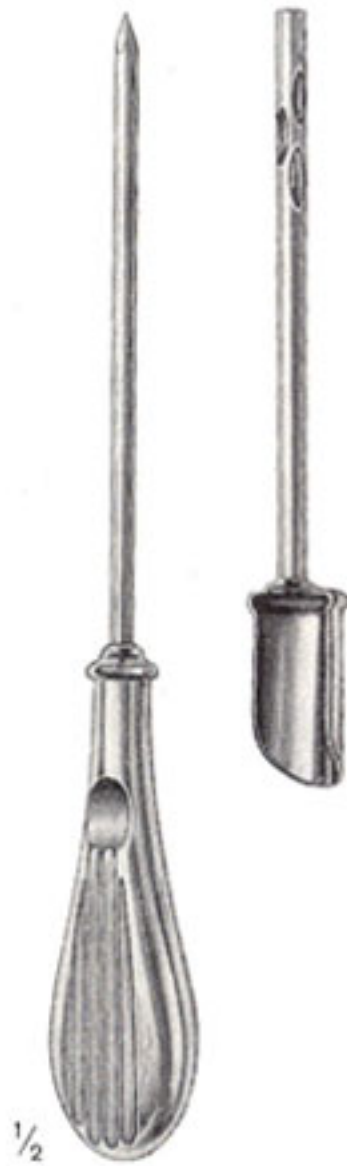
1-330-12 – 1-336-12

ditto, with shield, stopcock and off-flow tube

Trokare Trocars Trocares



Duke
1-344-11
11 cm/4 1/2"
5,5 mm Ø



Birch
1-346-18
18 cm/7"
4,5 mm Ø



Nelson
21 cm/8 1/2"

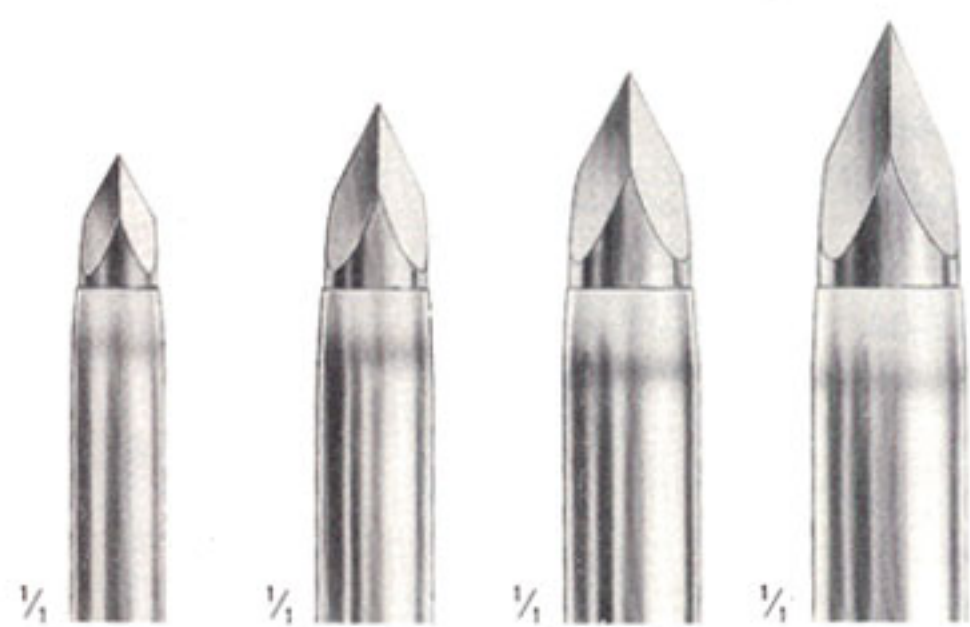


Fig. 1 1-348-07
Fig. 2 1-350-09
Fig. 3 1-352-11
Fig. 4 1-354-12

1-344-11 | with perforated cannula for withdrawal
of ascitic fluid
1-346-18 | for ascites and hydrocele, with perforated
cannula