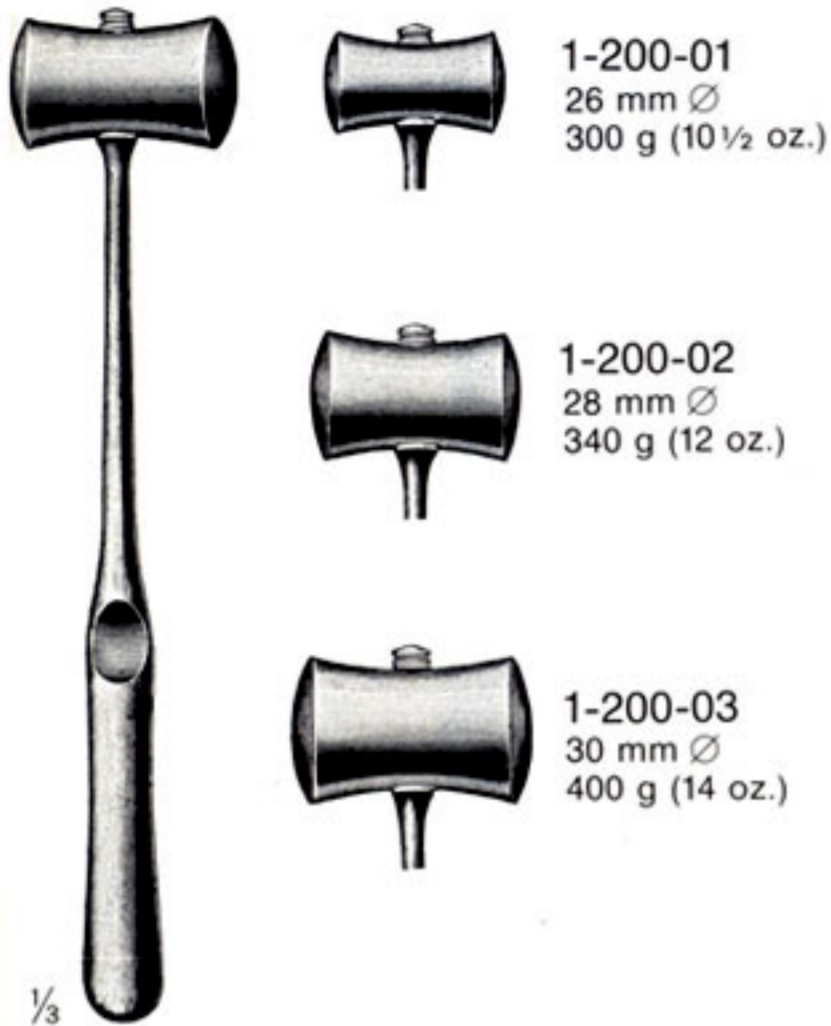


The logo for Precision Instruments Corp features the company name in a bold, white, sans-serif font. The text is split across two overlapping horizontal bars: an orange bar on the left and a black bar on the right. The background of the entire page is white, with a large, vibrant blue circular shape on the left side that partially overlaps the orange bar.

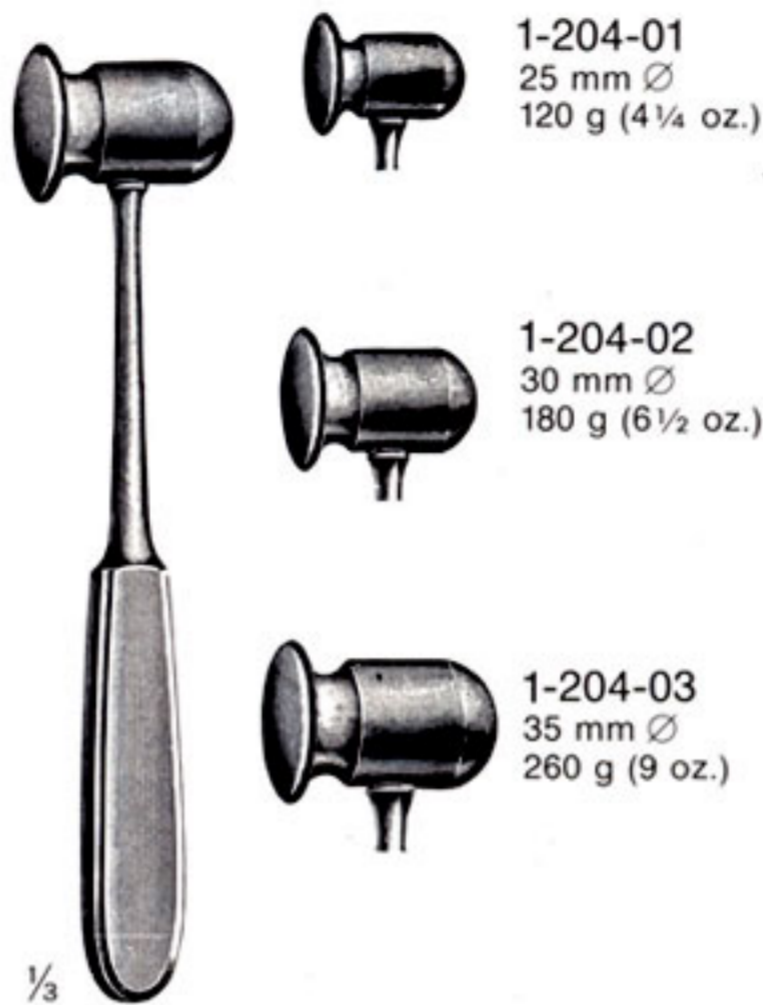
Precision Instruments Corp

Surgical Instruments

Hammer Mallets Martillos y Mazos



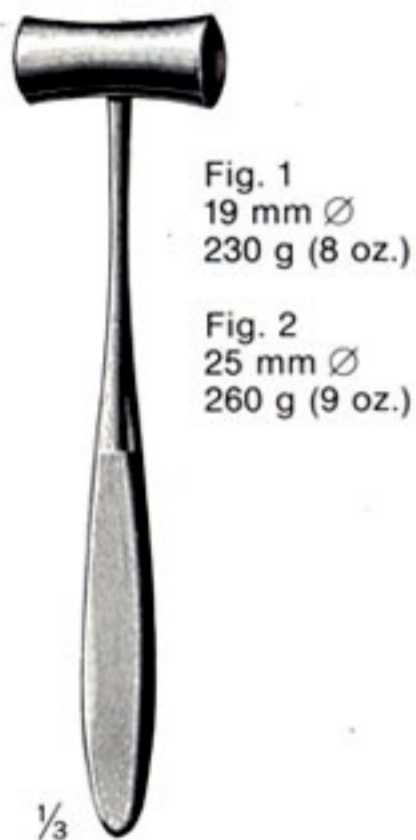
$\frac{1}{3}$
Williger
24 cm/9½"
lead filled



$\frac{1}{3}$
Doyen
21 cm/8¼"
brass, solid



$\frac{1}{3}$
Collin
1-208-20
20 cm/8"
brass, solid



$\frac{1}{3}$
Lucae
1-214-01 (Fig. 1) 1-214-02 (Fig. 2)
19 cm/7½"
brass, solid



$\frac{1}{3}$
1-216-01 1-216-02
16,5 cm/6½"
lead filled brass, solid



$\frac{1}{3}$
1-218-22
22,5 cm/9"
steel, solid



$\frac{1}{3}$
Mead
1-220-17
17 cm/6¾"
solid
1-221-00
Ferozell Faces only, pair

Hammer Mallets Martillos y Mazos

22 mm Ø
200 g
(7 oz.)



1/3

Partsch
1-224-18
18 cm/7"
lead filled



45 mm Ø
290 g
(10 oz.)

1/3

1-230-23
23 cm/9"
hardwood, lead filled



80 x 60 mm Ø
400 g

1/3

Steinbach
1-234-24
24 cm/9 1/2"
Ferrozell, solid



42 mm Ø
250 g
400 g

1/3

1-236-01 **1-236-02**
26 cm/10 1/4"
plastic, lead filled Ferrozell, without lead



42 mm Ø
400 g

1/3

1-238-26
26 cm/10 1/4"
Ferrozell, lead filled



1/3

1-240-29
29 cm/11 1/2"
repercussion free

42 mm Ø
530 g
(19 oz.)



30 mm Ø

1/3

1-242-24
24 cm/9 1/2"
steel, solid,
with light metal handle