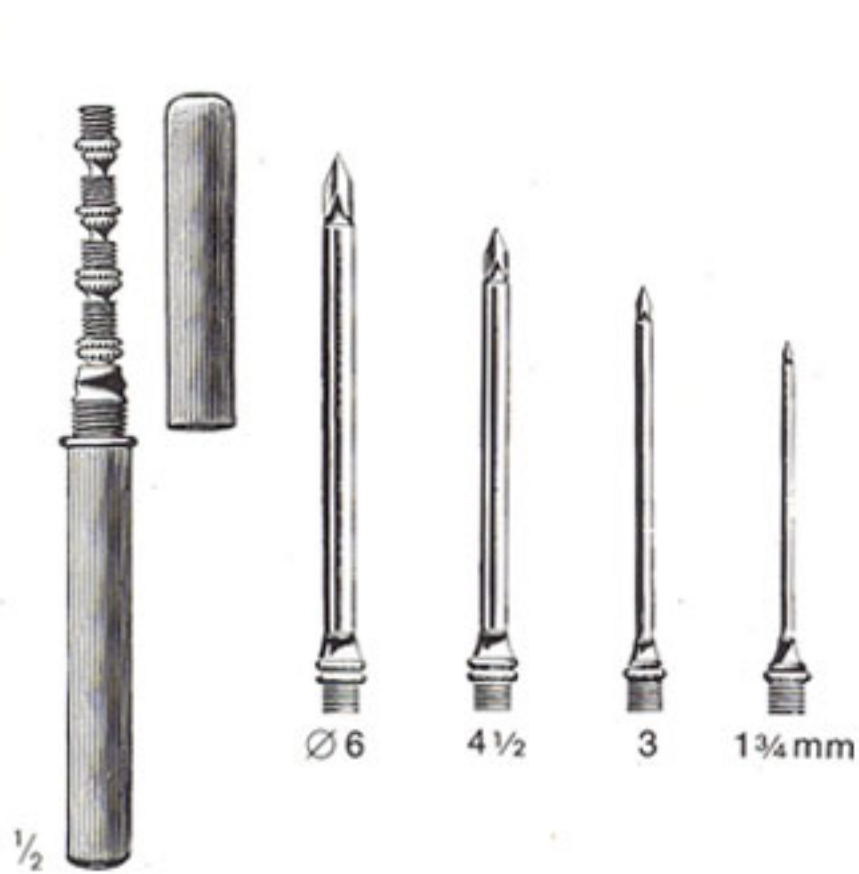


The logo for Precision Instruments Corp features the company name in a white, sans-serif font. The text is split across two overlapping horizontal bars: an orange bar on the left and a black bar on the right. The background of the entire page is white, with a large blue curved shape on the left side.

Precision Instruments Corp

Surgical Instruments

Trokare Trocars Trocares



Universal

1-300-03

set of 3 pieces

1-302-04

set of 4 pieces



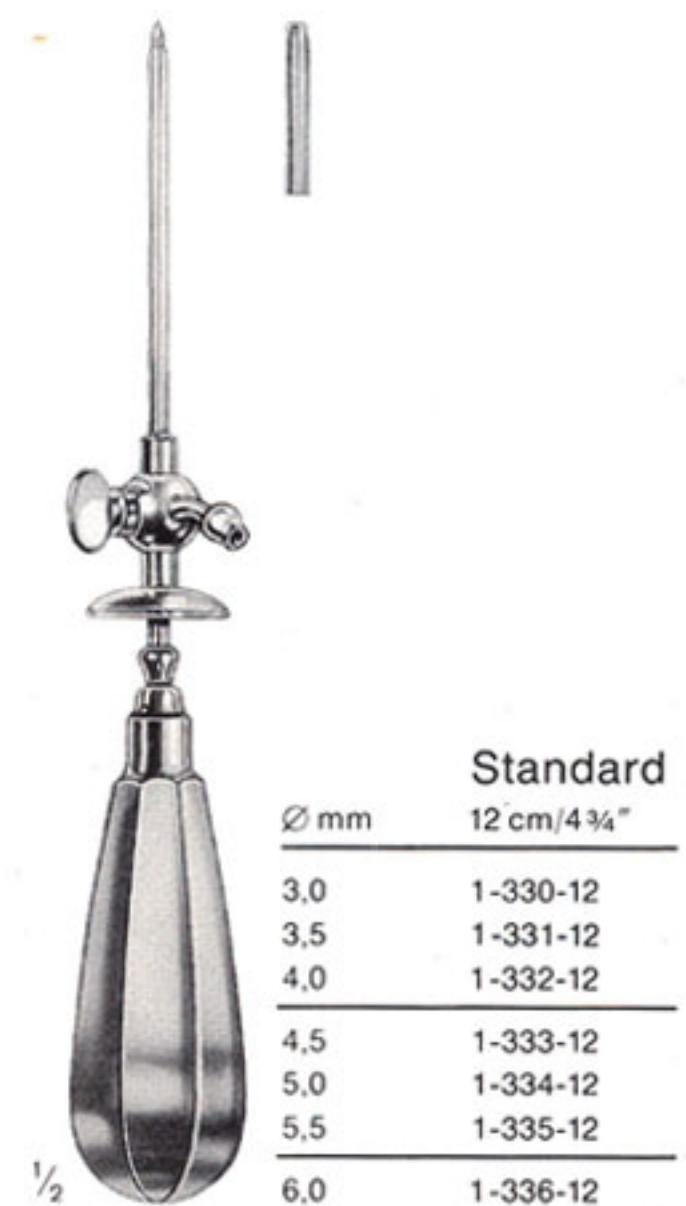
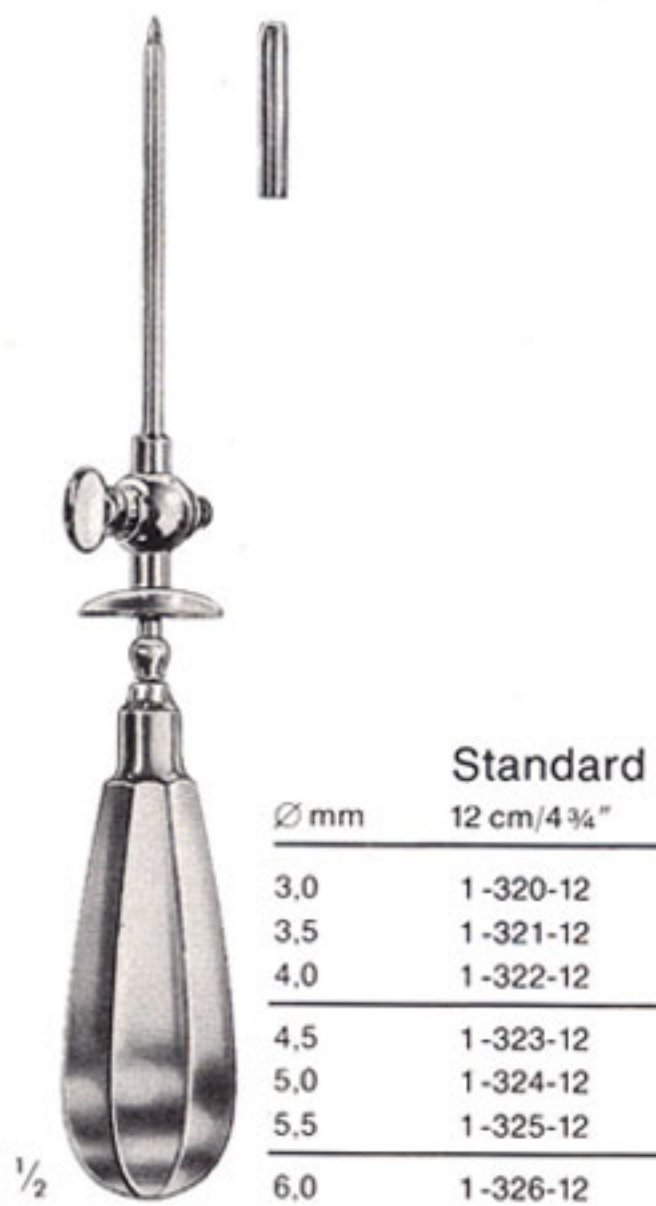
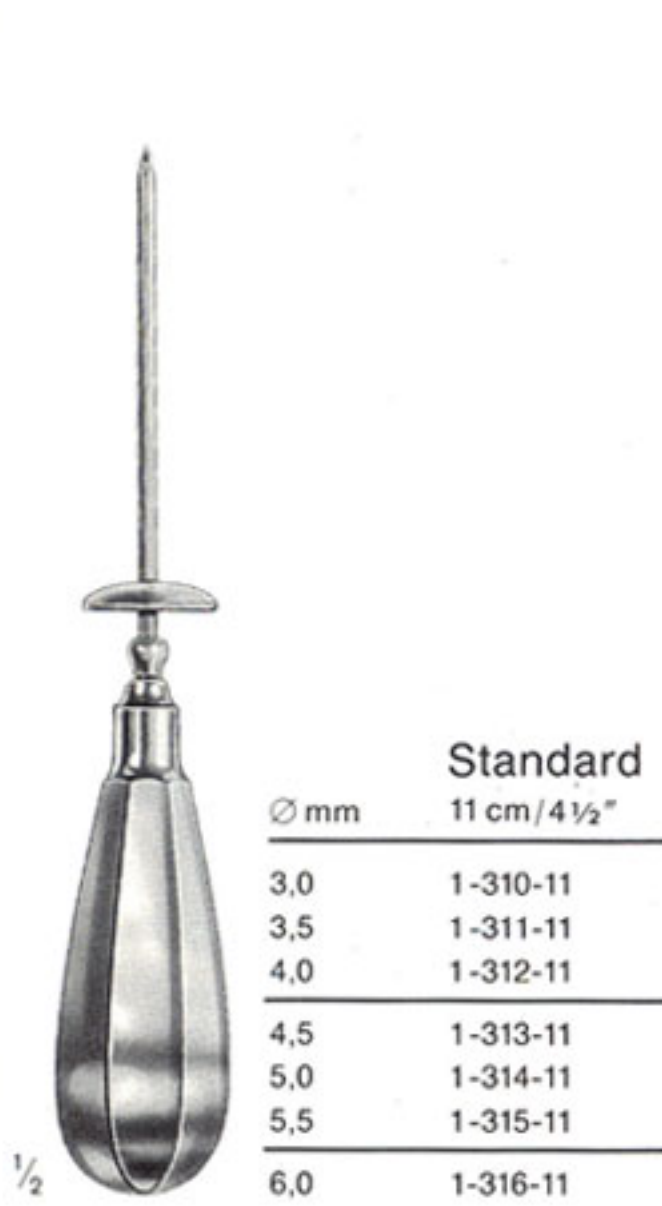
Universal

1-304-03

set of 3 pieces

1-306-04

set of 4 pieces



1-300-03 – 1-302-04

for abdominal puncture, round metal handle

1-304-03 – 1-306-04

ditto, flat-round metal handle

1-310-11 – 1-316-11

ditto, with shield

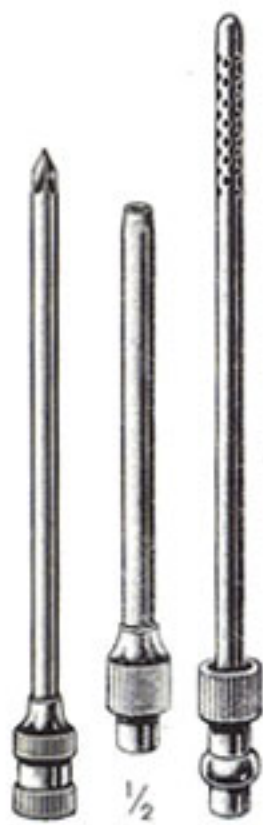
1-320-12 – 1-326-12

ditto, with shield and stopcock

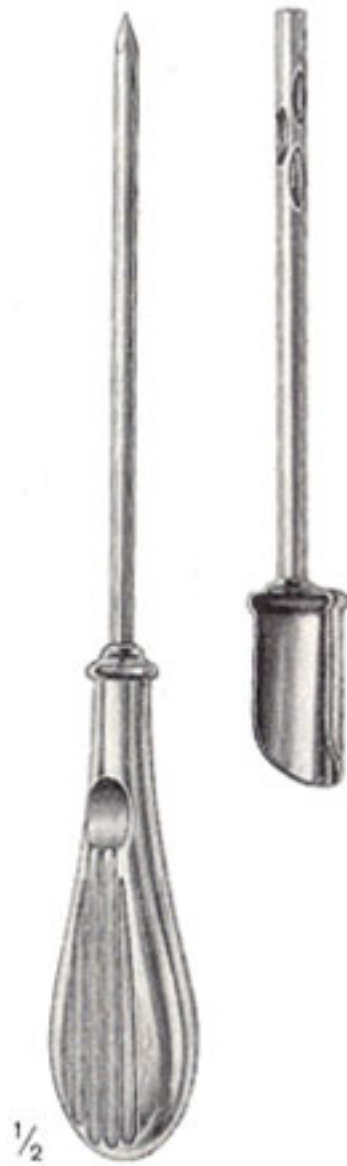
1-330-12 – 1-336-12

ditto, with shield, stopcock and off-flow tube

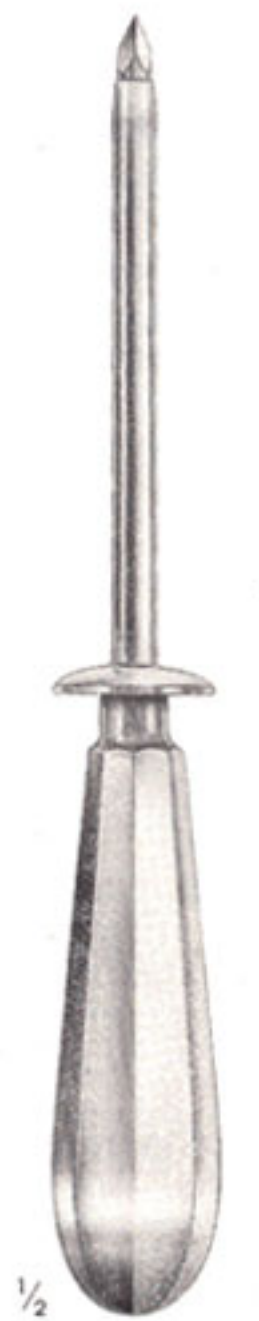
Trokare Trocars Trocares



Duke
1-344-11
11 cm/4 1/2"
5,5 mm Ø



Birch
1-346-18
18 cm/7"
4,5 mm Ø



Nelson
21 cm/8 1/2"

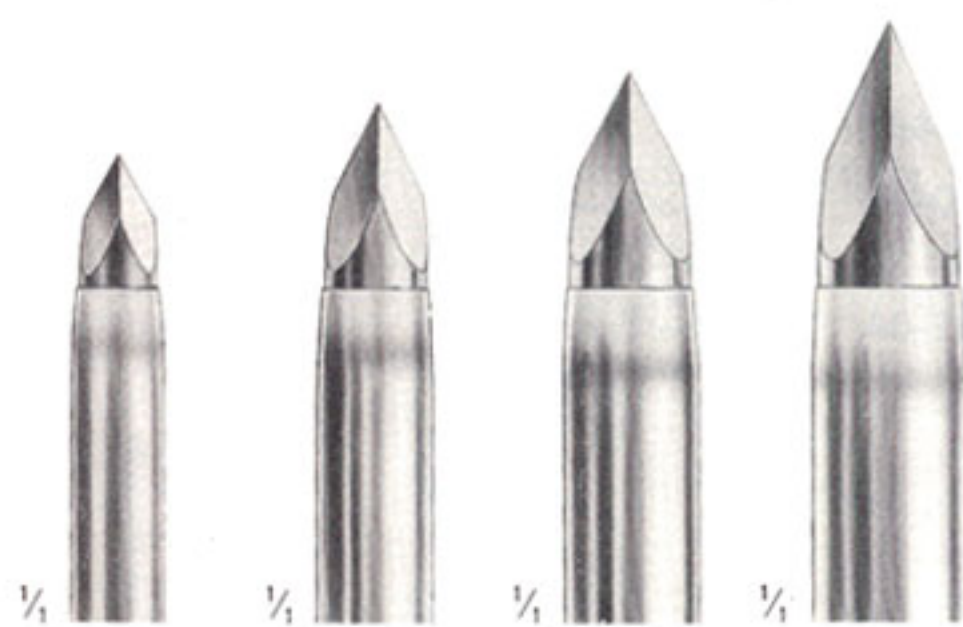


Fig. 1 1-348-07
Fig. 2 1-350-09
Fig. 3 1-352-11
Fig. 4 1-354-12

1-344-11 | with perforated cannula for withdrawal
of ascitic fluid
1-346-18 | for ascites and hydrocele, with perforated
cannula